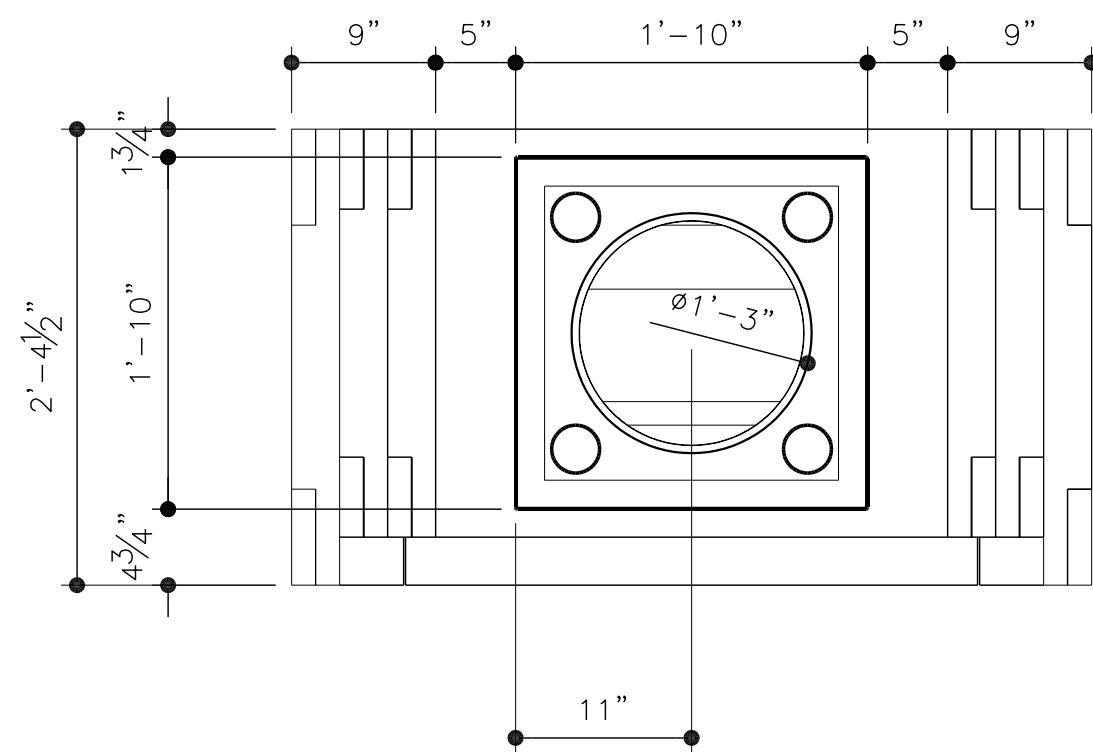


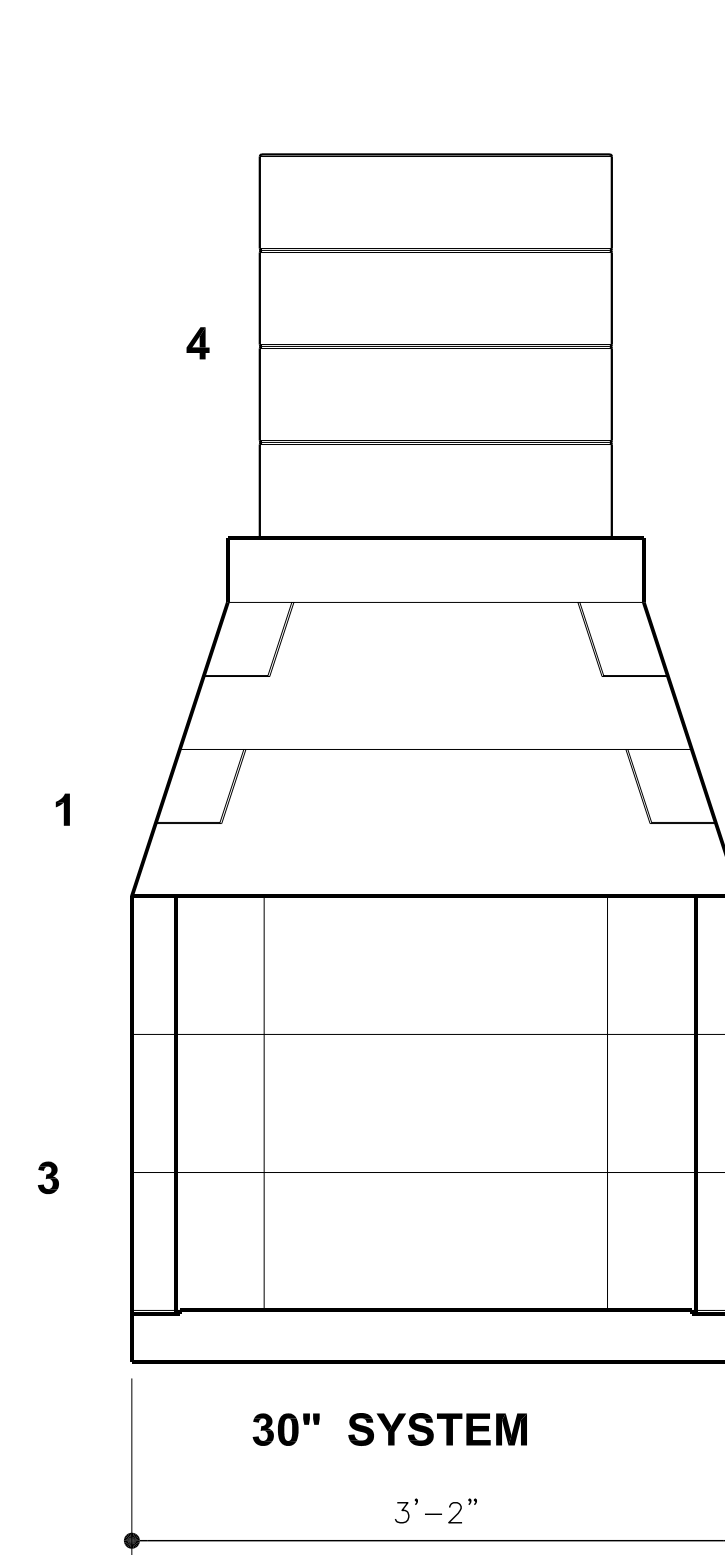
# FireRock

The fireplace, *rekindled.*

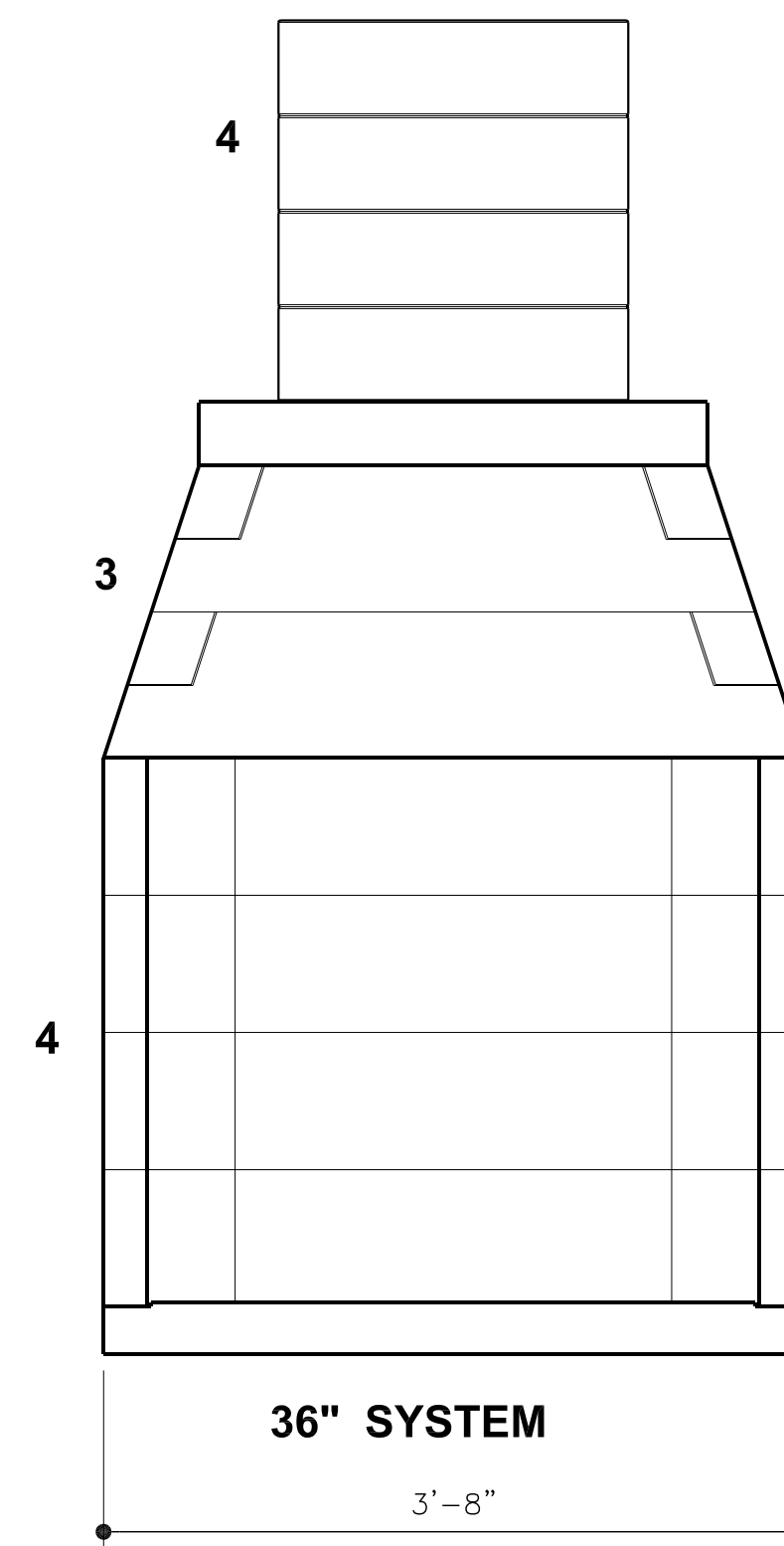
## OUTDOOR FIREPLACE SYSTEM



**CHIMNEY PLAN** SCALE: 1" = 1'-0"



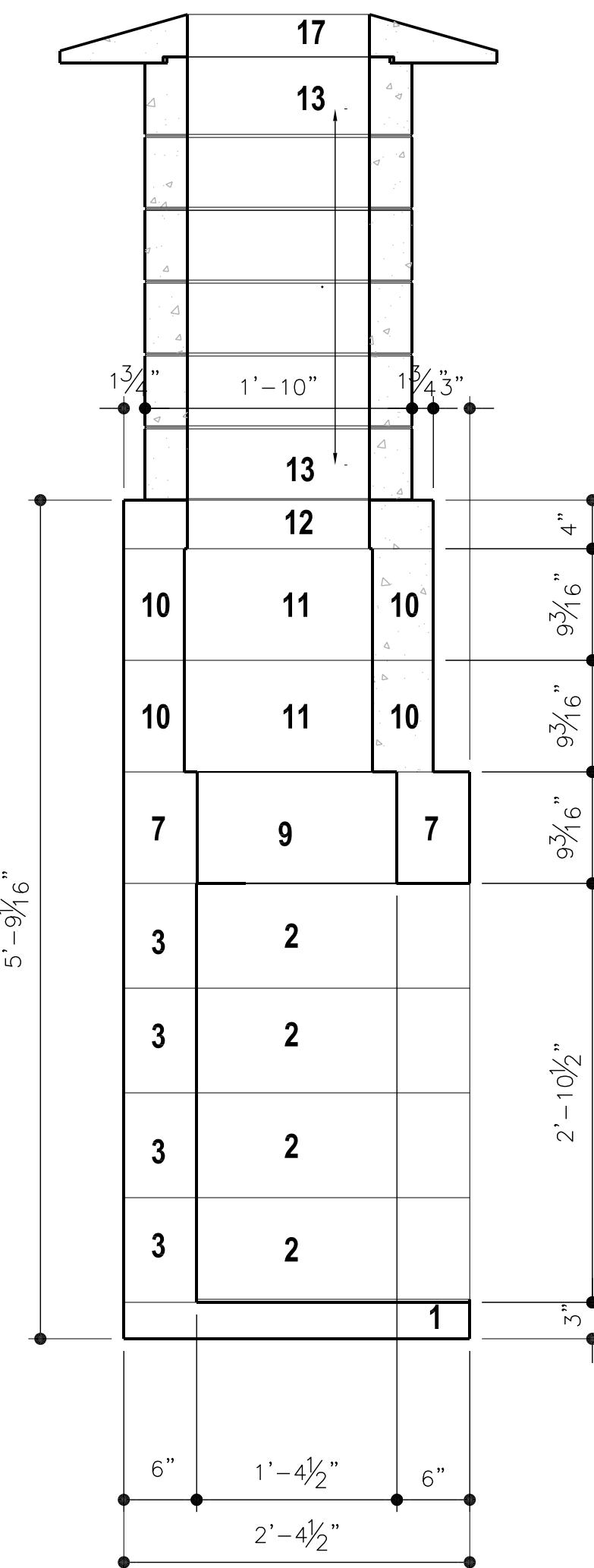
**30" SYSTEM**



**36" SYSTEM**

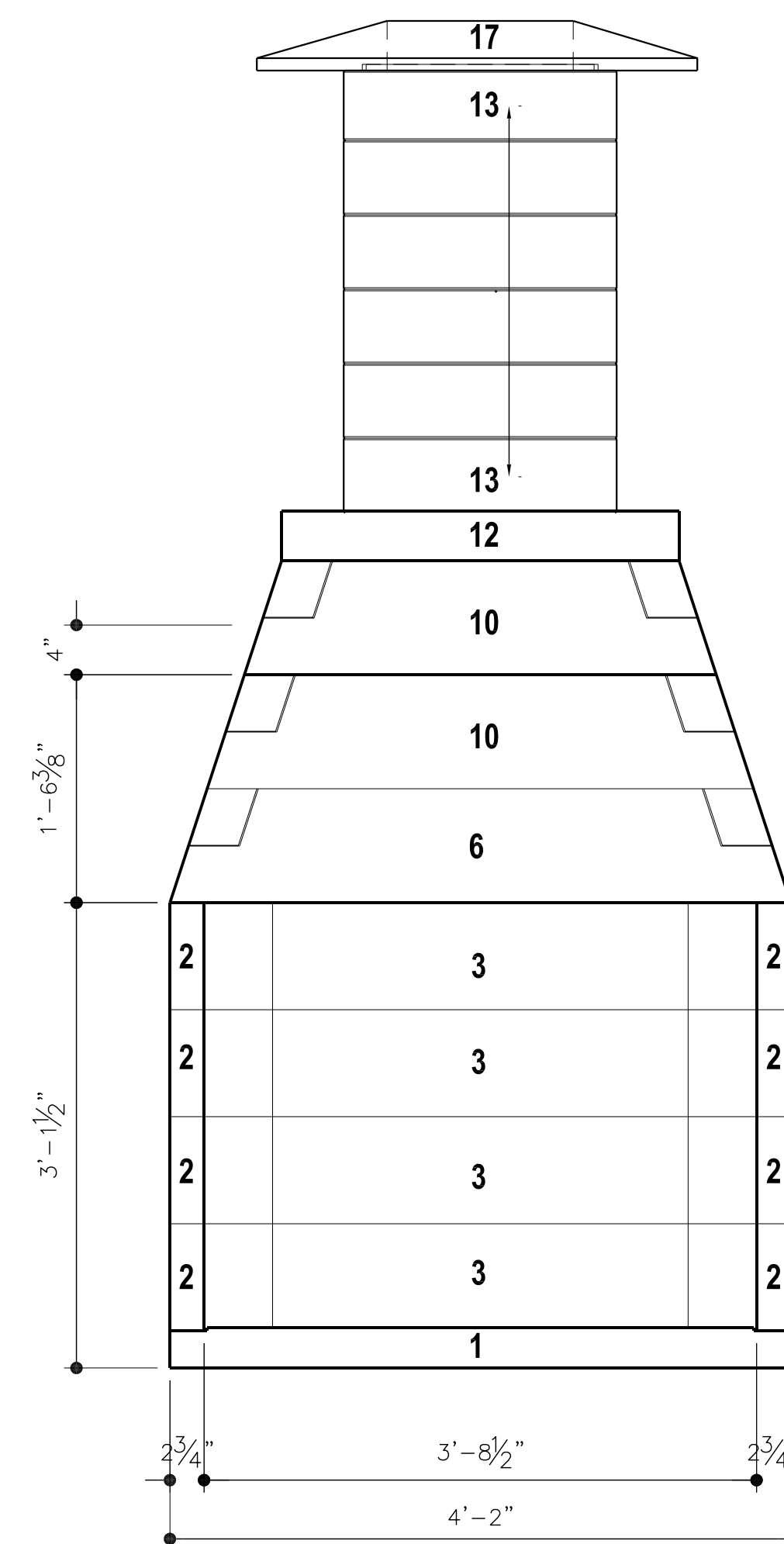
FIREPLACE SIZE	DIM A	DIM B
30	38"	32.1/2"
36	44"	38.1/2"
42	50"	44.1/2"
48	56"	50.1/2"

42" SIZE SHOWN TO SCALE - THIS DRAWING



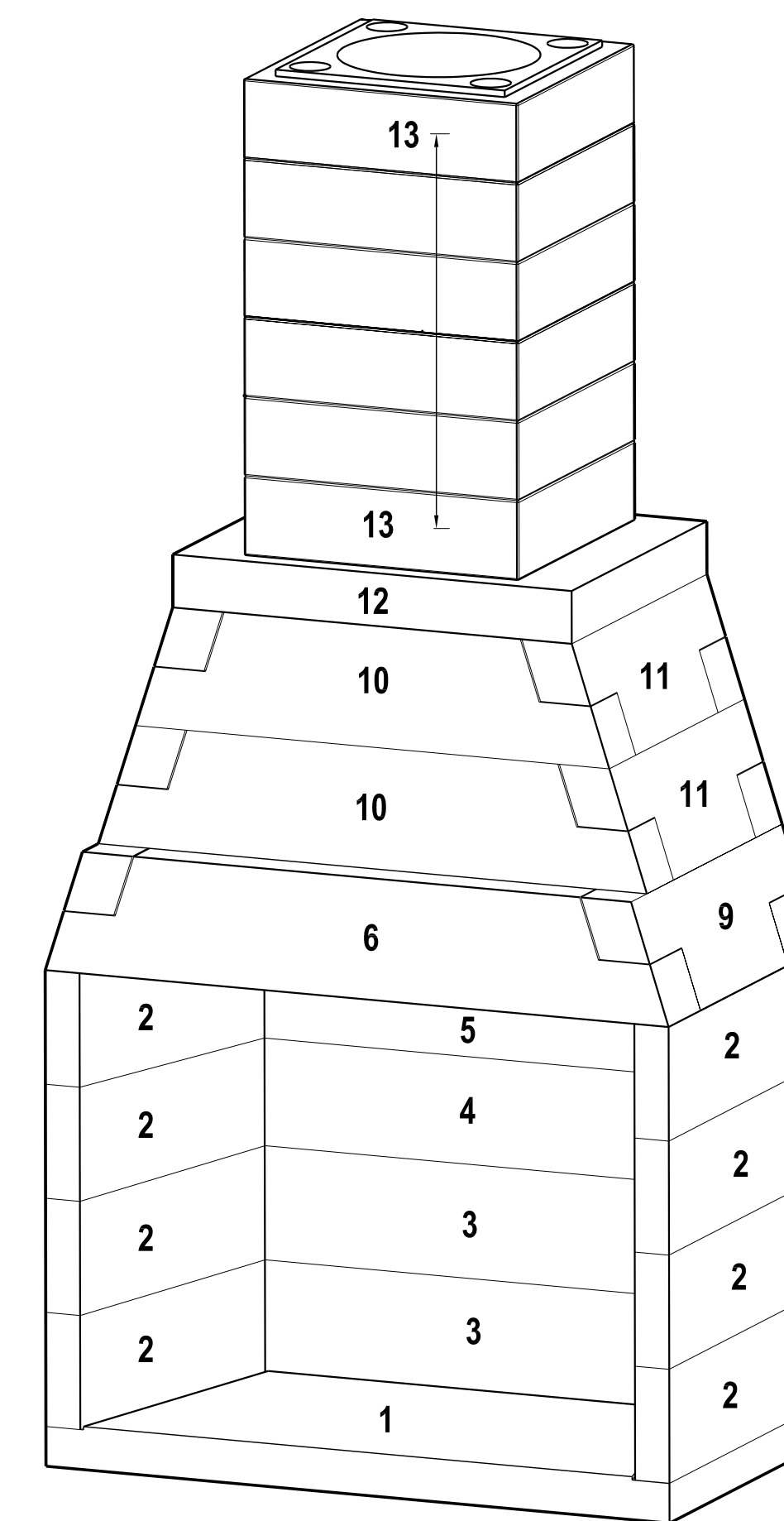
**SECTION A-A**

SCALE: 1" = 1'-0"



**42" SYSTEM  
FRONT ELEVATION**

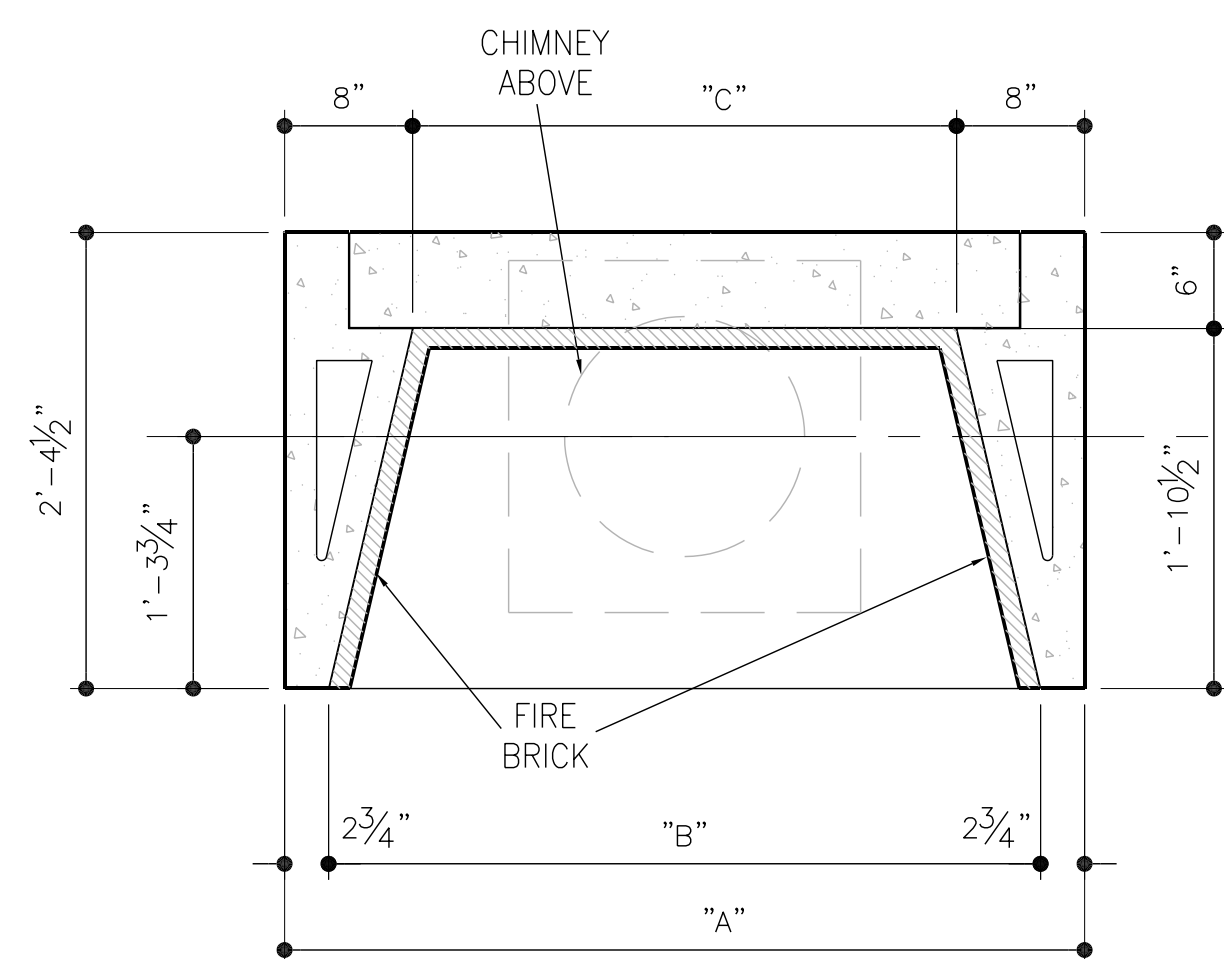
SCALE: 1" = 1'-0"



**ISOMETRIC**

SCALE: 1" = 1'-0"

#	COMPONENT NAME
1	BASE PLATE
2	FIREBOX SIDE
3	FIREBOX BACK- STRAIGHT BACK BLOCK
4	FIREBOX BACK- LEVEL 3
5	FIREBOX BACK- LEVEL 4
6	RADIUS THROAT FRONT
7	SQUARE THROAT BACK
8	THROAT LEFT SIDE
9	THROAT RIGHT SIDE
10	SMOKE CHAMBER FRONT AND BACK
11	UNIVERSAL SMOKE CHAMBER SIDES
12	CHIMNEY BASE
13	CHIMNEY BLOCK
17	CHIMNEY CAP



**FIREBOX PLAN** SCALE: 1" = 1'-0"

RELEASE DATE 04/02/09

SCALE 1" = 1'-0"

**SHEET**

**OD**