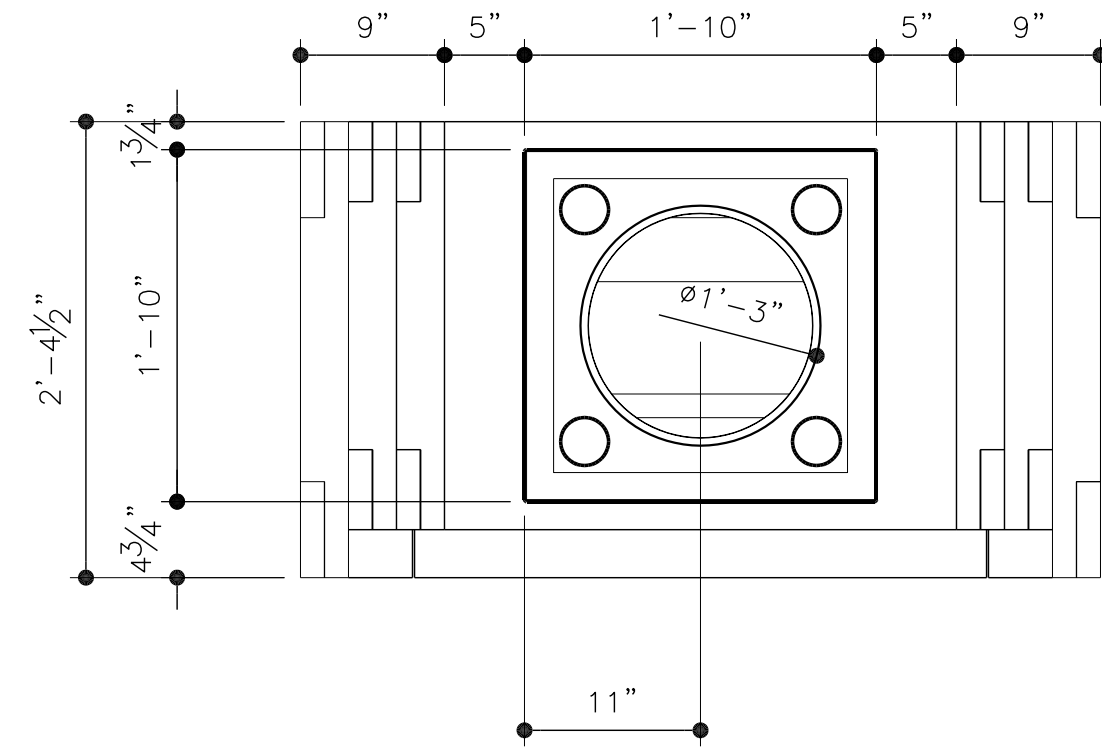


FireRock

The fireplace, *rekindled.*

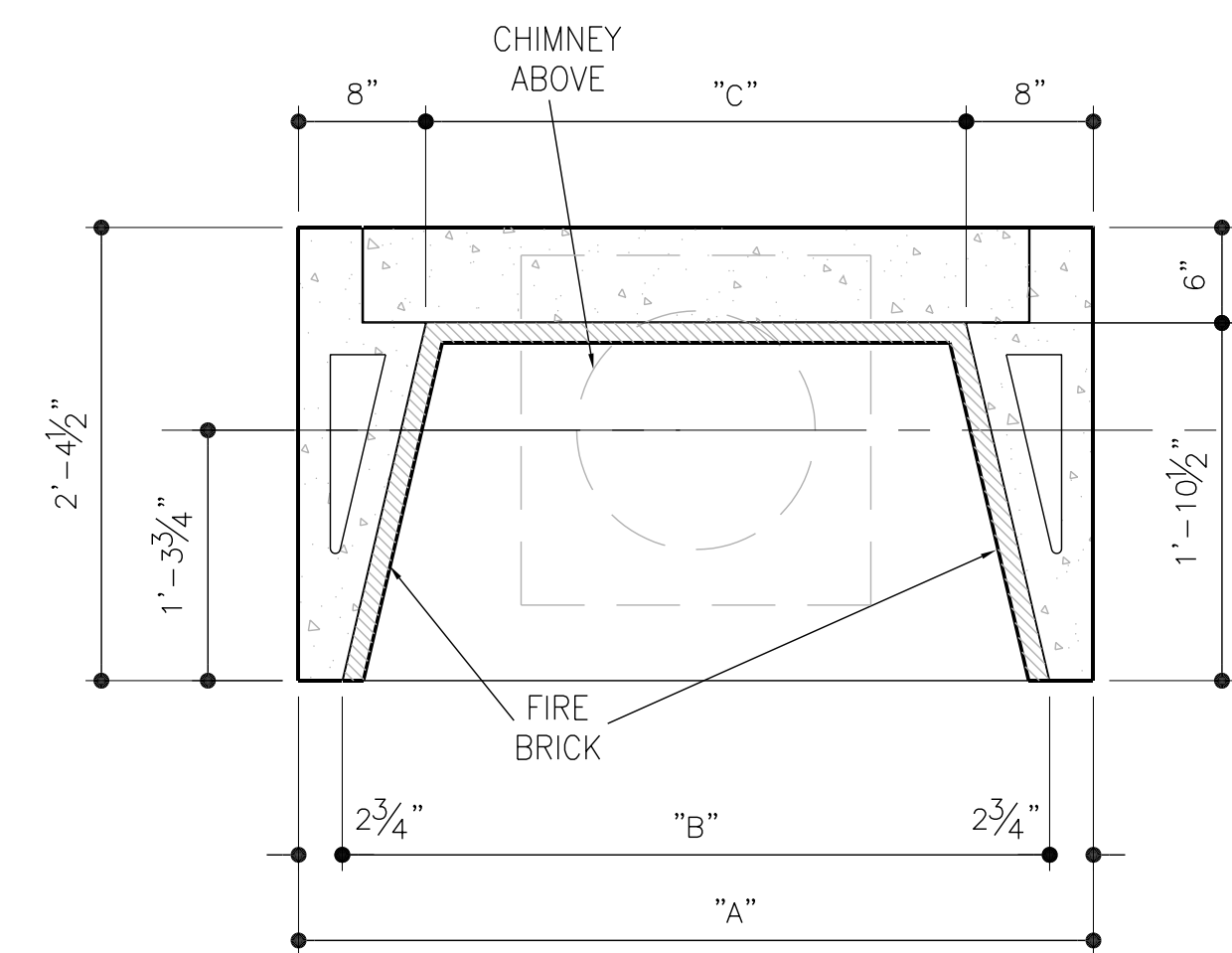
RUMFORD FIREPLACE SYSTEM



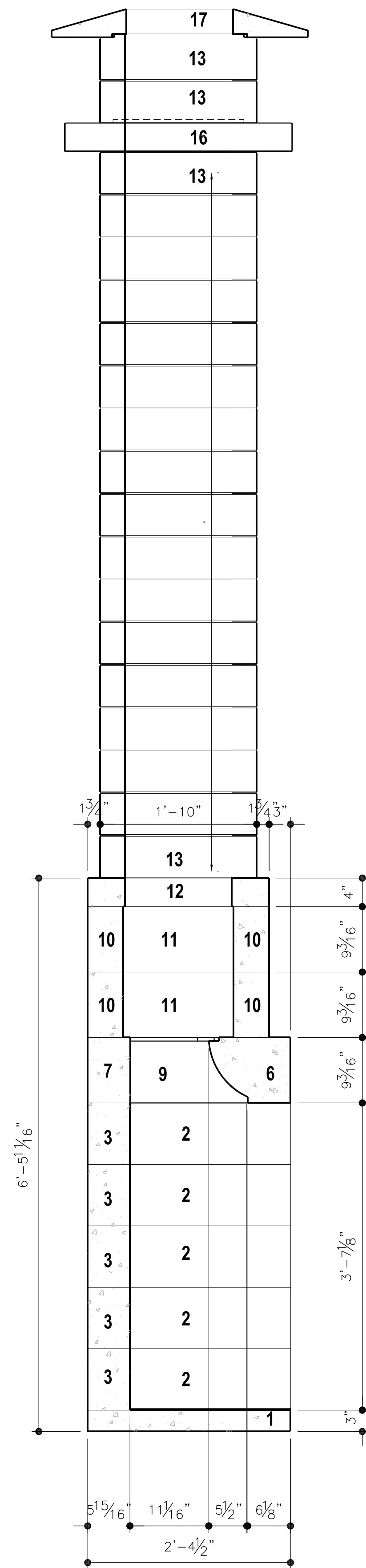
CHIMNEY PLAN SCALE: 1" = 1'-0"

FIREPLACE SIZE	DIM A	DIM B	DAMPER SIZE
30	38"	32.1/2"	24"
36	44"	38.1/2"	30"
42	50"	44.1/2"	36"
48	56"	50.1/2"	42"

42" SIZE SHOWN TO SCALE - THIS DRAWING

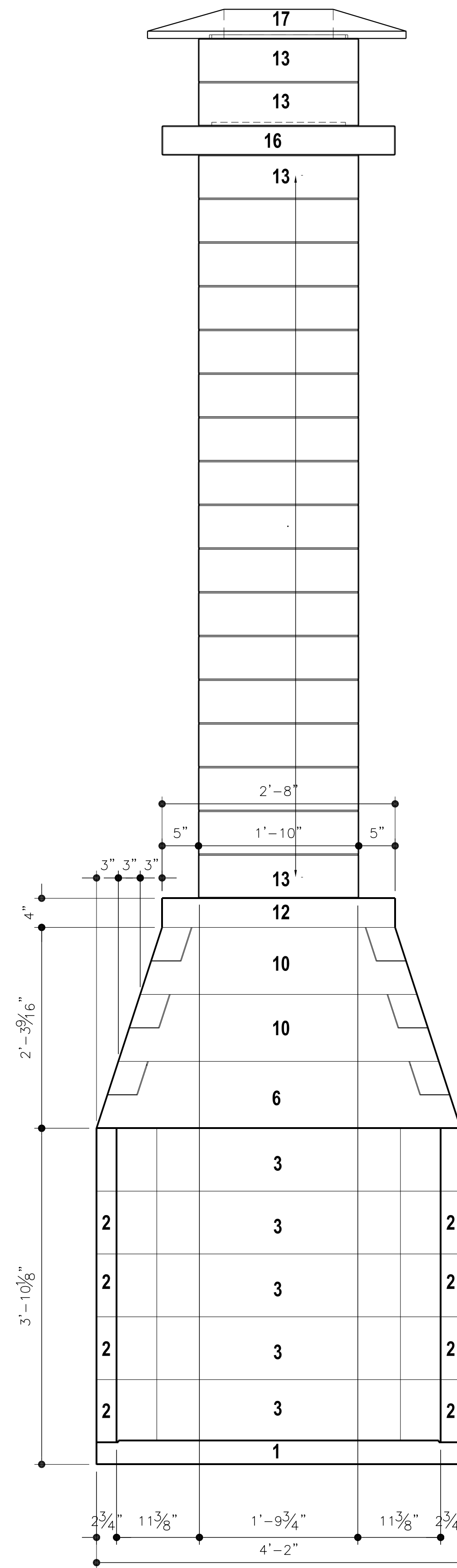


FIREBOX PLAN SCALE: 1" = 1'-0"



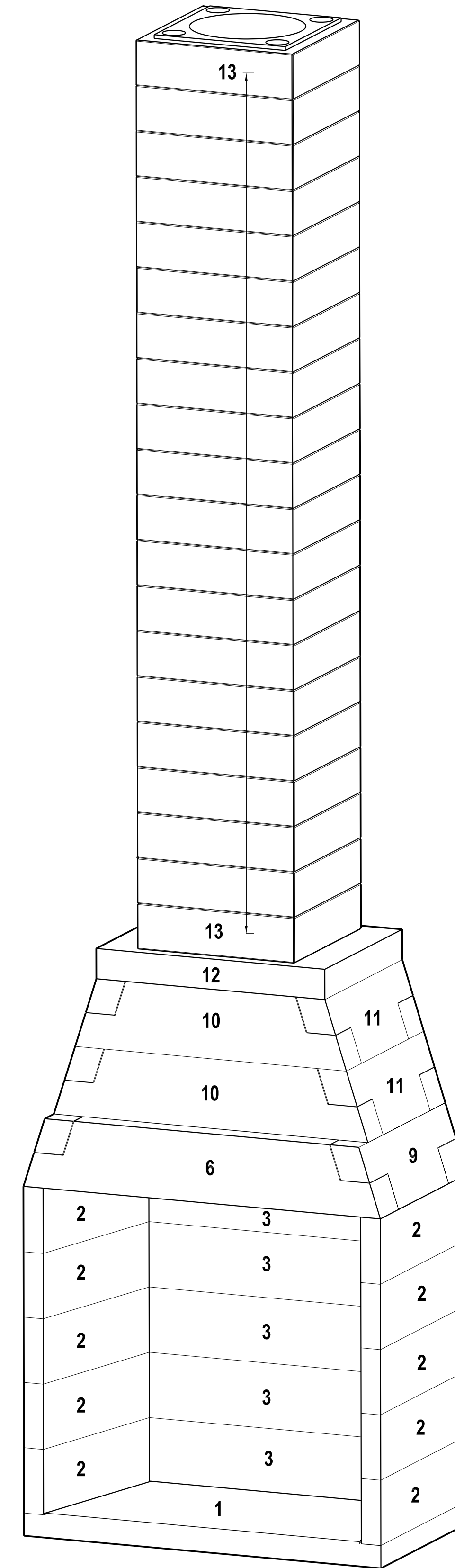
SECTION A-A

SCALE: 1" = 1'-0"



FRONT ELEVATION

SCALE: 1" = 1'-0"



ISOMETRIC

SCALE: 1" = 1'-0"

#	COMPONENT NAME
1	BASE PLATE
2	FIREBOX SIDE
3	FIREBOX BACK- STRAIGHT BACK BLOCK
6	RADIUS THROAT FRONT
7	SQUARE THROAT BACK
8	THROAT LEFT SIDE
9	THROAT RIGHT SIDE
10	SMOKE CHAMBER FRONT AND BACK
11	UNIVERSAL SMOKE CHAMBER SIDES
12	CHIMNEY BASE
13	CHIMNEY BLOCK
17	CHIMNEY CAP (OPTIONAL)

- 1.) THE BRICK FLANGE UNIT CAN BE INSERTED IN PLACE OF A CHIMNEY BLOCK TO SUPPORT BRICK/STONE VENEER
- 2.) ALL DIMENSIONS SHOWN THIS SHEET ARE SPECIFIC TO THE 42" UNIT.

NOTE:

- 30" RUMFORD STYLE - (4) FIREBOX COURSES
- 36" & 42" (SHOWN) RUMFORD STYLE (5) FIREBOX COURSES
- 48" RUMFORD STYLE (6) FIREBOX COURSES

RELEASE DATE **04/02/09**

SCALE **1" = 1'-0"**

SHEET

RM