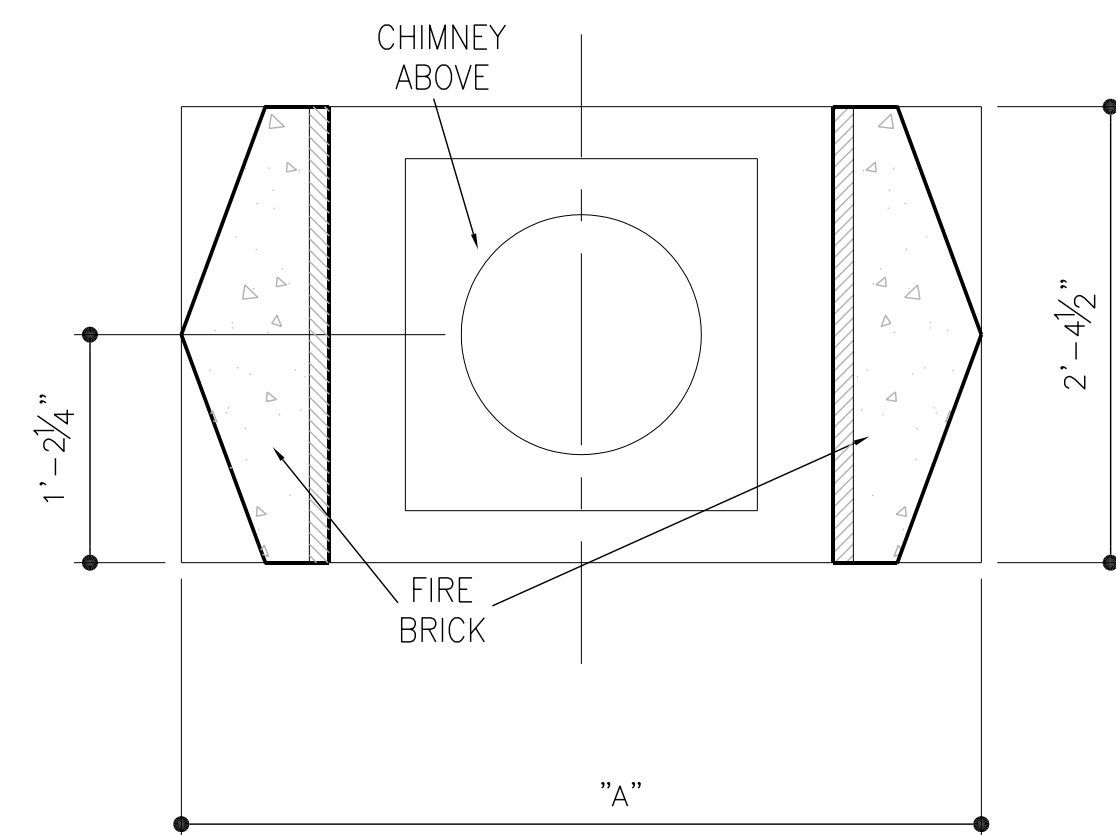


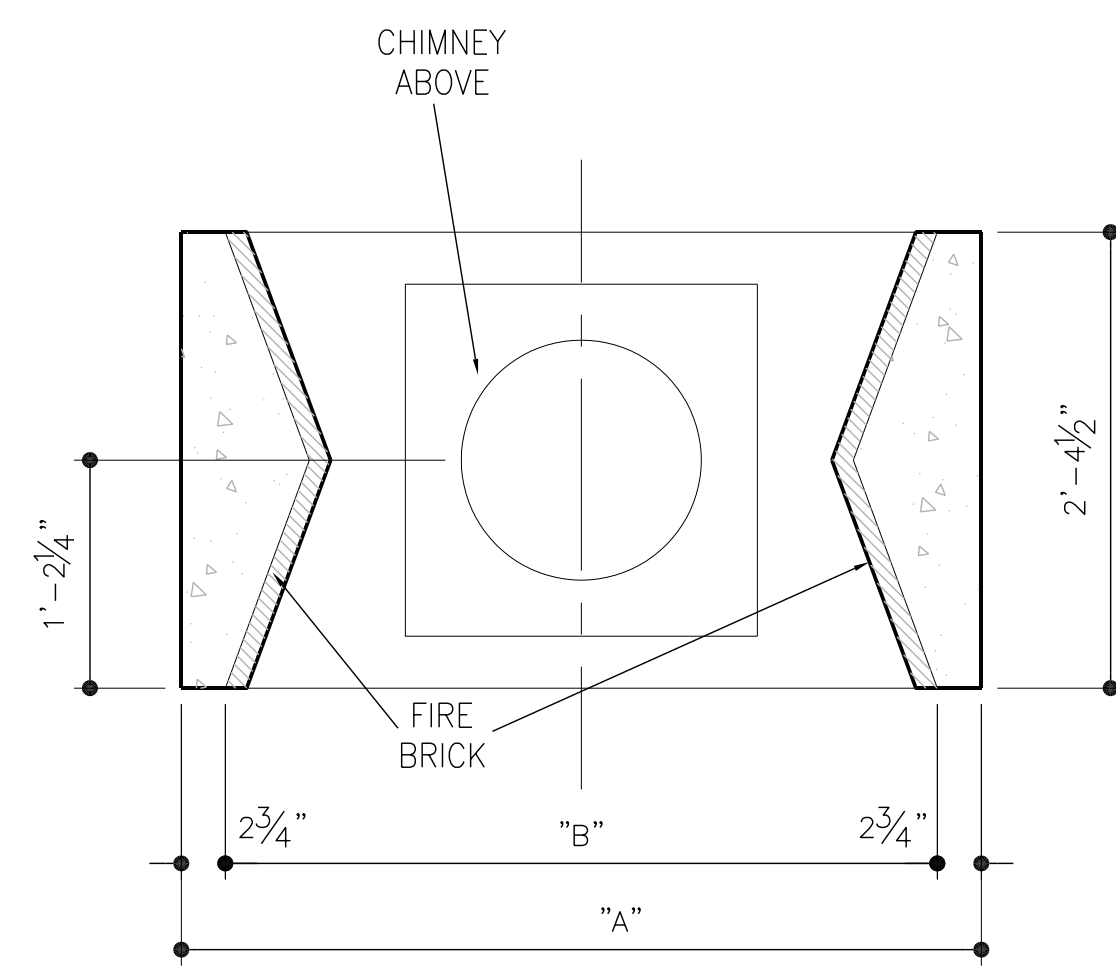
**CHIMNEY PLAN** SCALE: 1" = 1'-0"

FIREPLACE SIZE	DIM A	DIM B
30	38"	32.1/2"
36	44"	38.1/2"
42	50"	44.1/2"
48	56"	50.1/2"

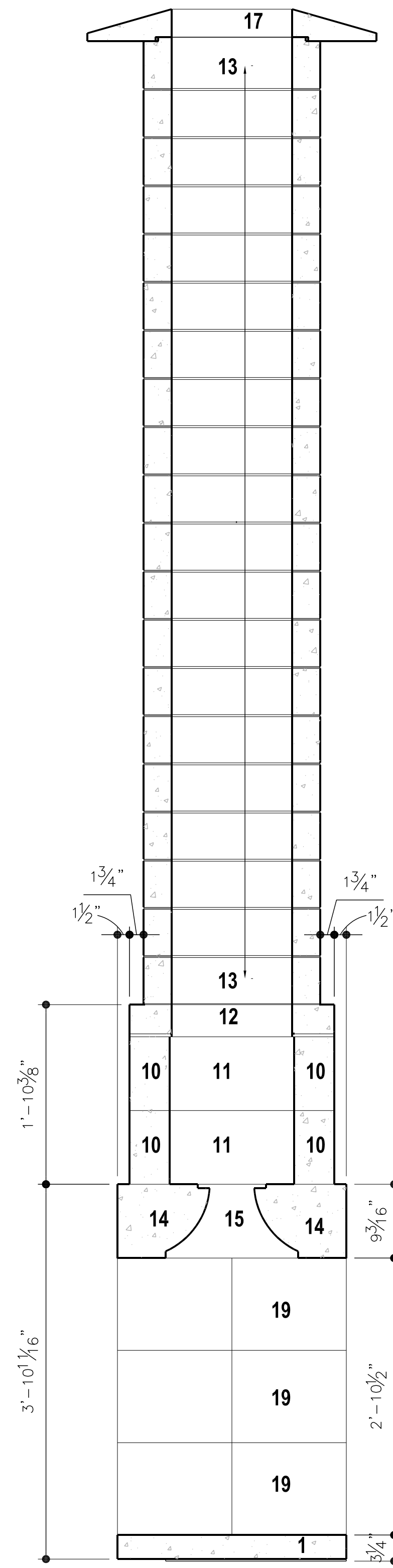
42" SIZE SHOWN TO SCALE - THIS DRAWING



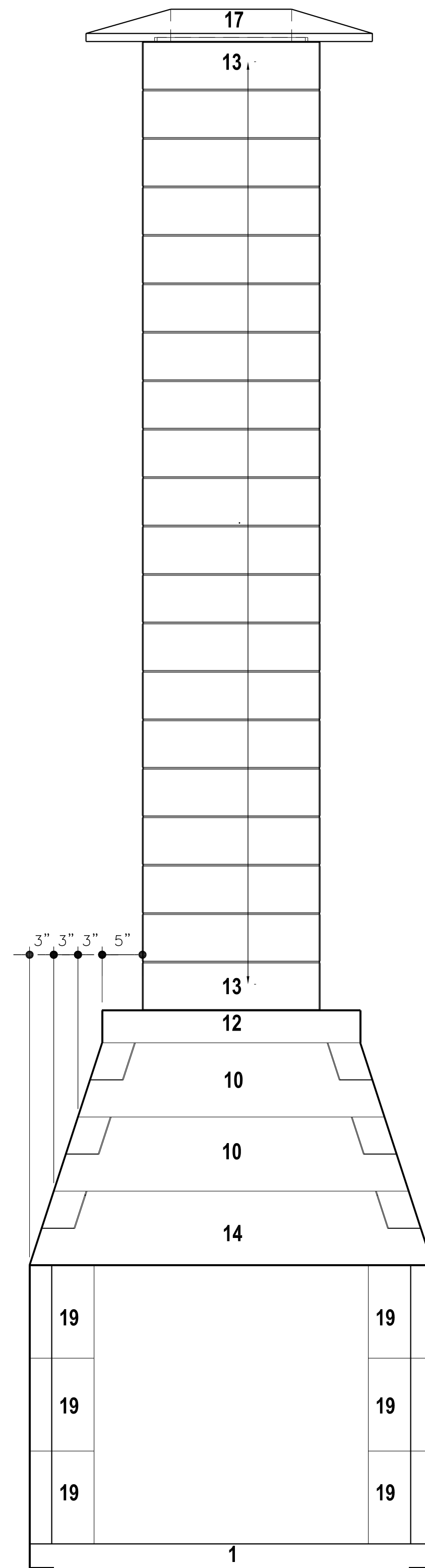
**FIREBOX ALT. PLAN** SCALE: 1" = 1'-0"



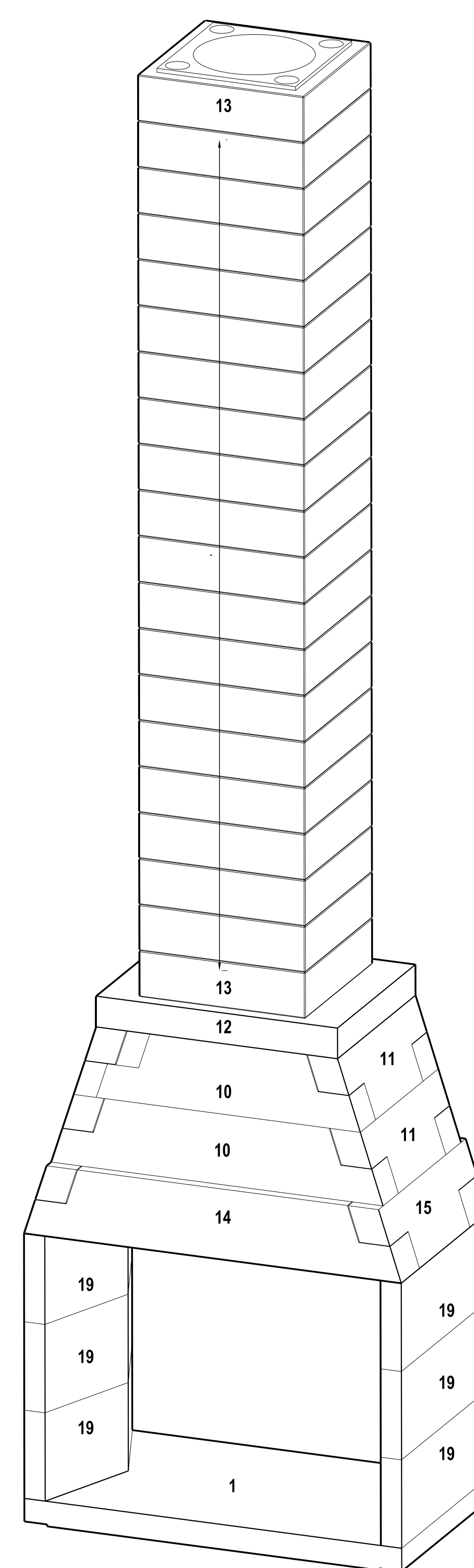
**FIREBOX PLAN** SCALE: 1" = 1'-0"



**SECTION A-A** SCALE: 1" = 1'-0"



**FRONT ELEVATION** SCALE: 1" = 1'-0"



**ISOMETRIC** SCALE: 1" = 1'-0"

# FireRock

The fireplace, *rekindled.*

## SEE-THROUGH FIREPLACE SYSTEM

#	COMPONENT NAME
1	BASE PLATE
10	SMOKE CHAMBER FRONT AND BACK
11	UNIVERSAL SMOKE CHAMBER SIDES
12	CHIMNEY BASE
13	CHIMNEY BLOCK
14	SEE-THROUGH RADIUS THROAT
15	SEE-THROUGH THROAT SIDE
17	CHIMNEY CAP
19	SEE-THROUGH FIREBOX SIDE

- 1.) ALL DIMENSIONS SHOWN THIS SHEET ARE SPECIFIC TO THE 42" UNIT.
- 2.) FLIP BASE PLATE AND INSTALL UP SIDE DOWN

RELEASE DATE 04/02/09

SCALE 1" = 1'-0"

SHEET

ST