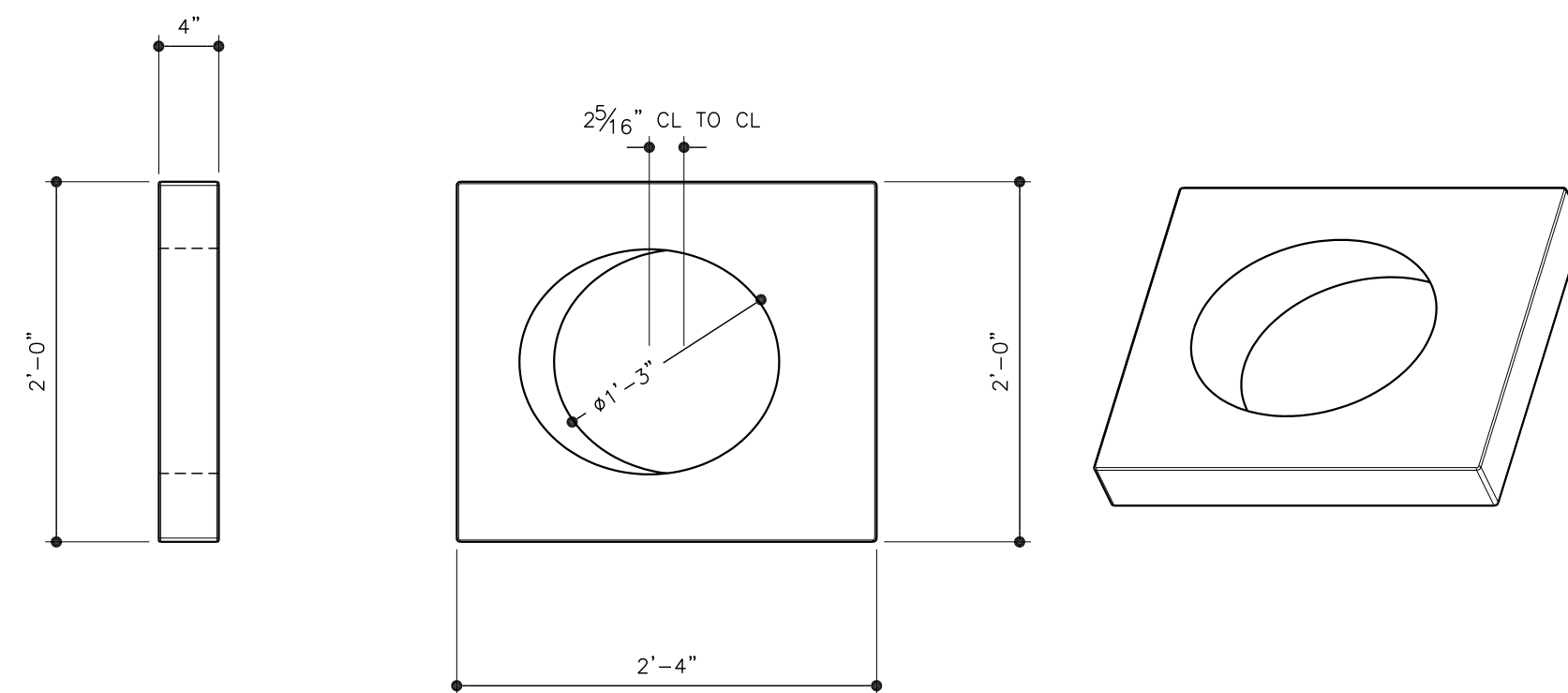


SIDE ELEVATION      PLAN      ISOMETRIC

CHIMNEY SIZE	DIM A
SMALL	26
LARGE	32

**17** CHIMNEY CAP (OPTIONAL)

SCALE: 1" = 1'-0"



SIDE ELEVATION      PLAN      ISOMETRIC

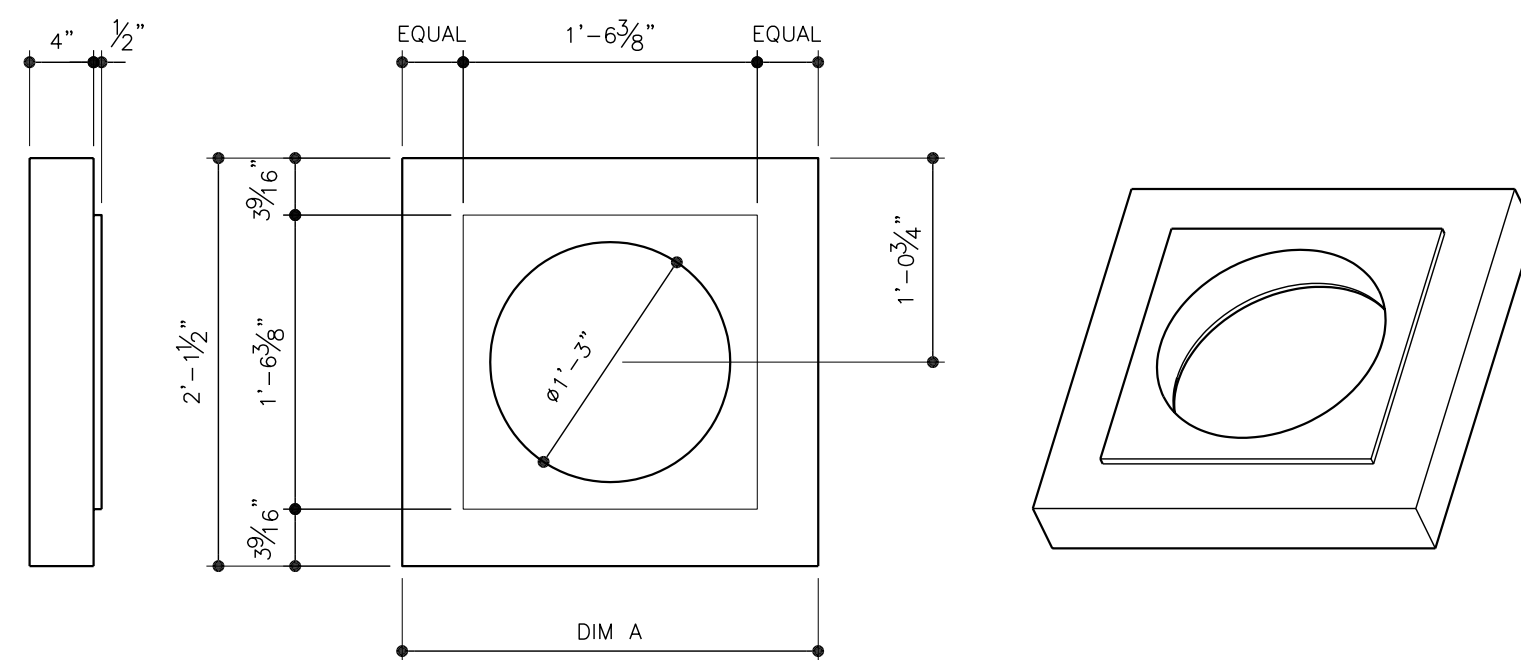
**18** OFF-SET CHIMNEY BLOCK (ONLY IF REQUIRED BY INSTALLATION)

SCALE: 1" = 1'-0"

# FireRock

The fireplace, *rekindled.*

## CONVENTIONAL FIREPLACE-INDIVIDUAL COMPONENTS

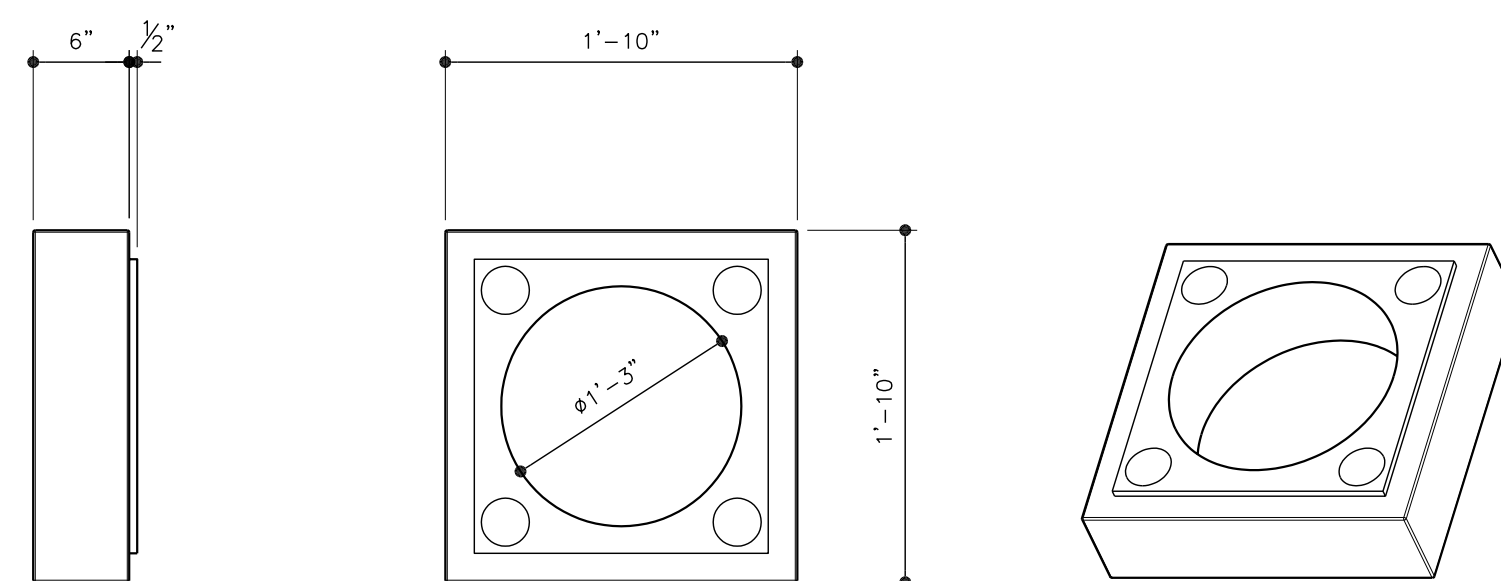


SIDE ELEVATION      PLAN      ISOMETRIC

FIREPLACE SIZE	DIM A
30"	26
36"	26
42"	32
48"	32

**12** CHIMNEY BASE

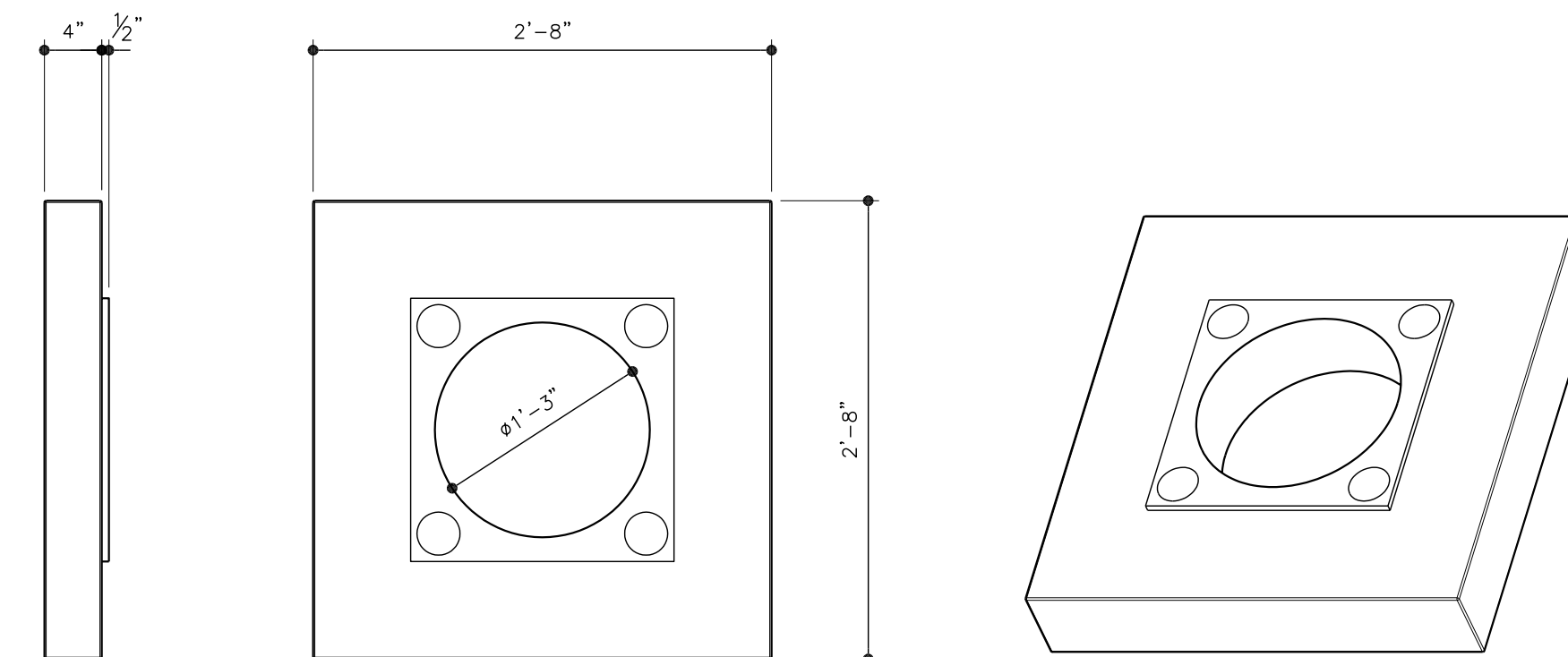
SCALE: 1" = 1'-0"



SIDE ELEVATION      PLAN      ISOMETRIC

**13** CHIMNEY BLOCK

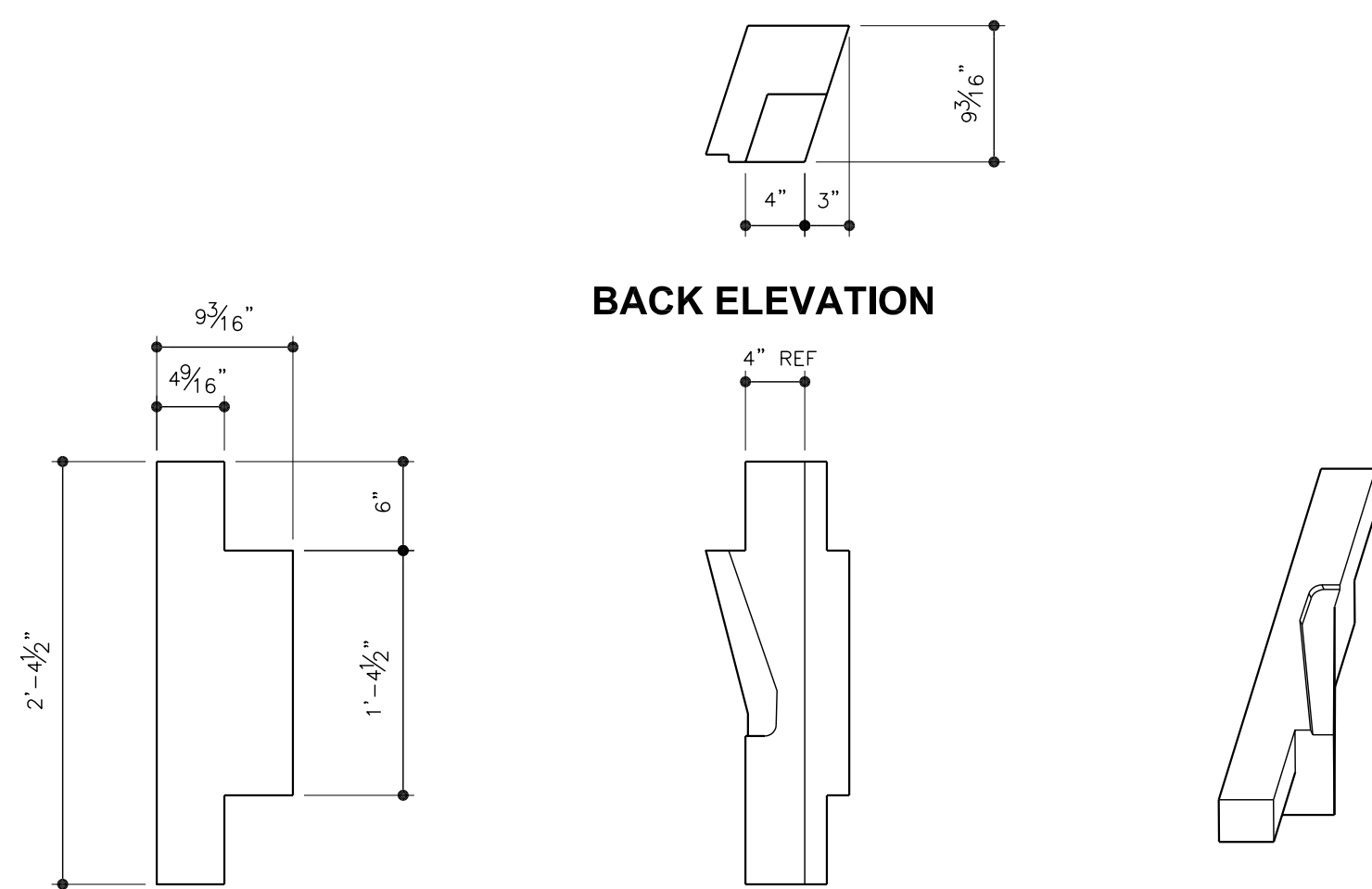
SCALE: 1" = 1'-0"



SIDE ELEVATION      PLAN      ISOMETRIC

**16** BRICKING FLANGE (ONLY IF REQUIRED BY INSTALLATION)

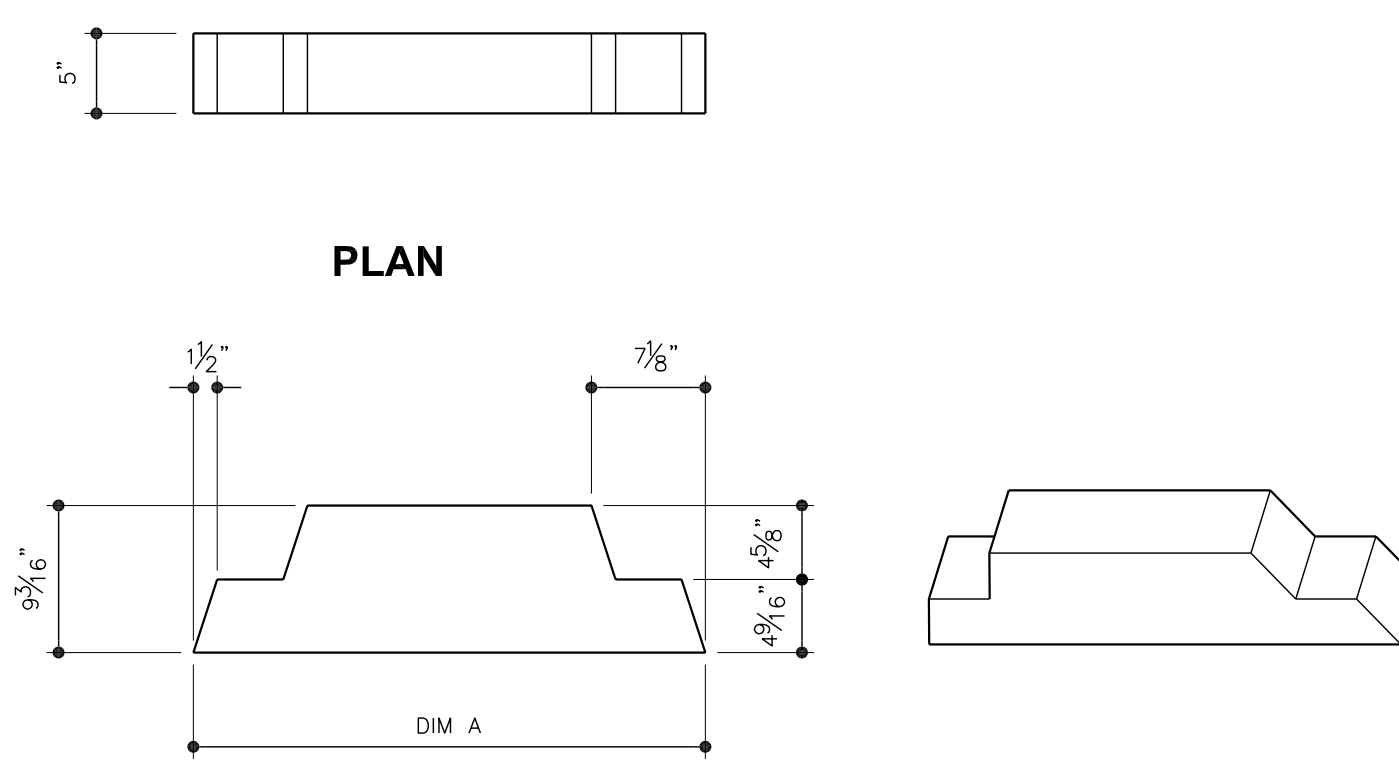
SCALE: 1" = 1'-0"



SIDE ELEVATION      BACK ELEVATION      PLAN      ISOMETRIC

**9** THROAT RIGHT SIDE

SCALE: 1" = 1'-0"

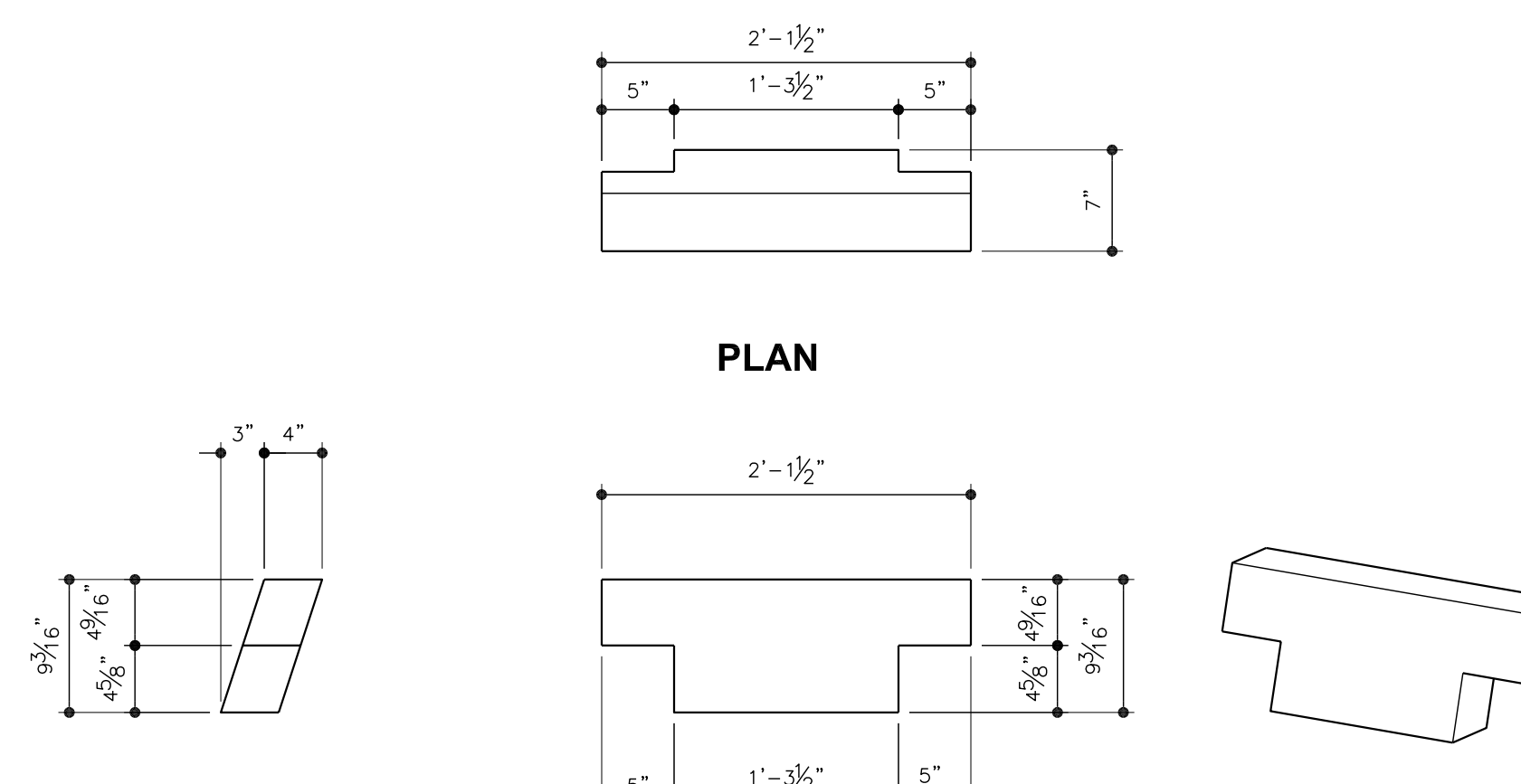


SIDE ELEVATION      FRONT ELEVATION      ISOMETRIC

FIREPLACE SIZE	# OF ROWS OF BLOCK NEEDED	DIM A
30"	1	32
36"	2	38, 32
42"	2	44, 38
48"	3	50, 44, 38

**10** SMOKE CHAMBER FRONT AND BACK

SCALE: 1" = 1'-0"



SIDE ELEVATION      FRONT ELEVATION      ISOMETRIC

**11** UNIVERSAL SMOKE CHAMBER SIDES

SCALE: 1" = 1'-0"

RELEASE DATE 04/02/09

SCALE 1" = 1'-0"

SHEET

CNV-2