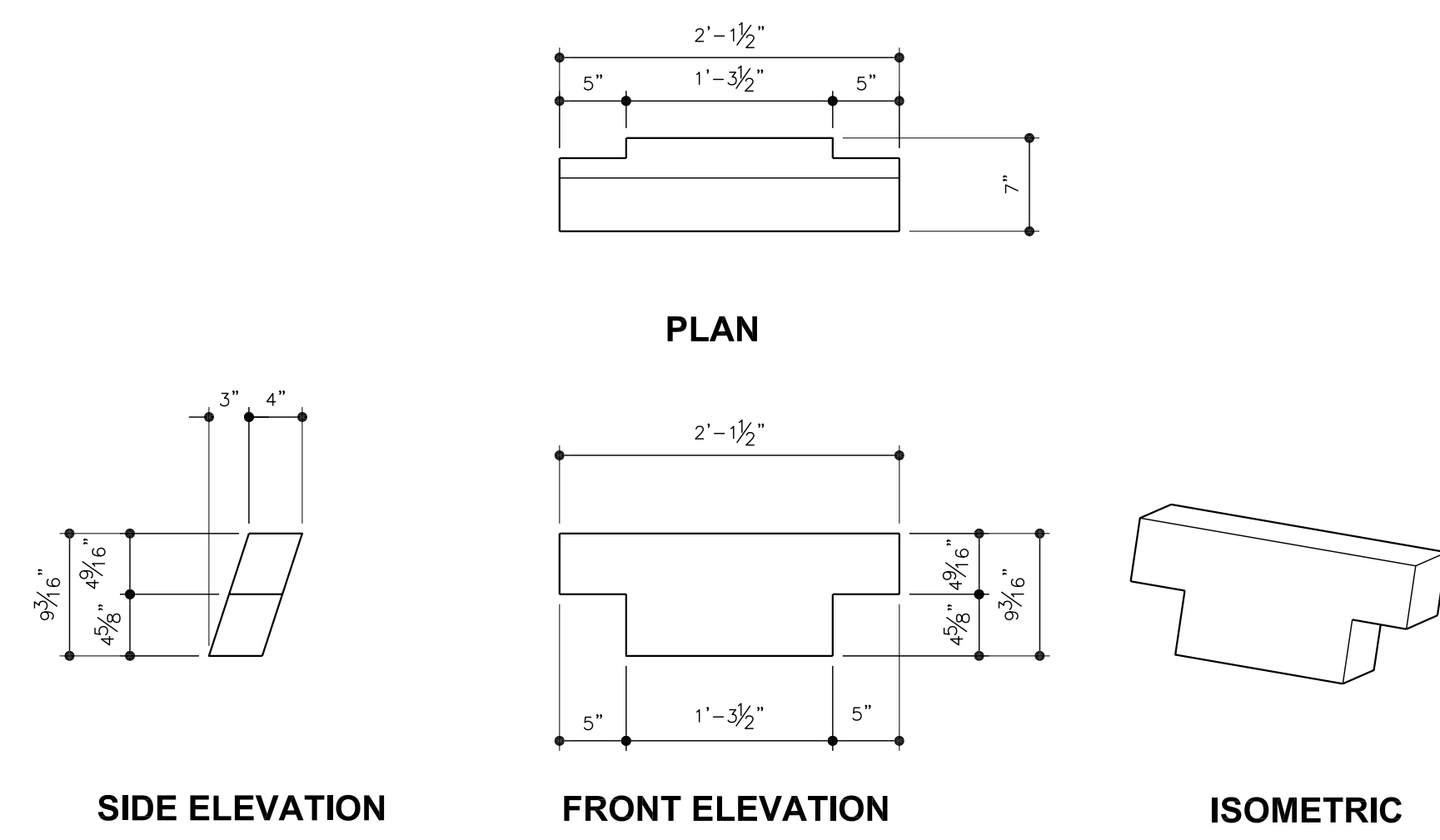


10 SMOKE CHAMBER FRONT AND BACK SCALE: 1" = 1'-0"

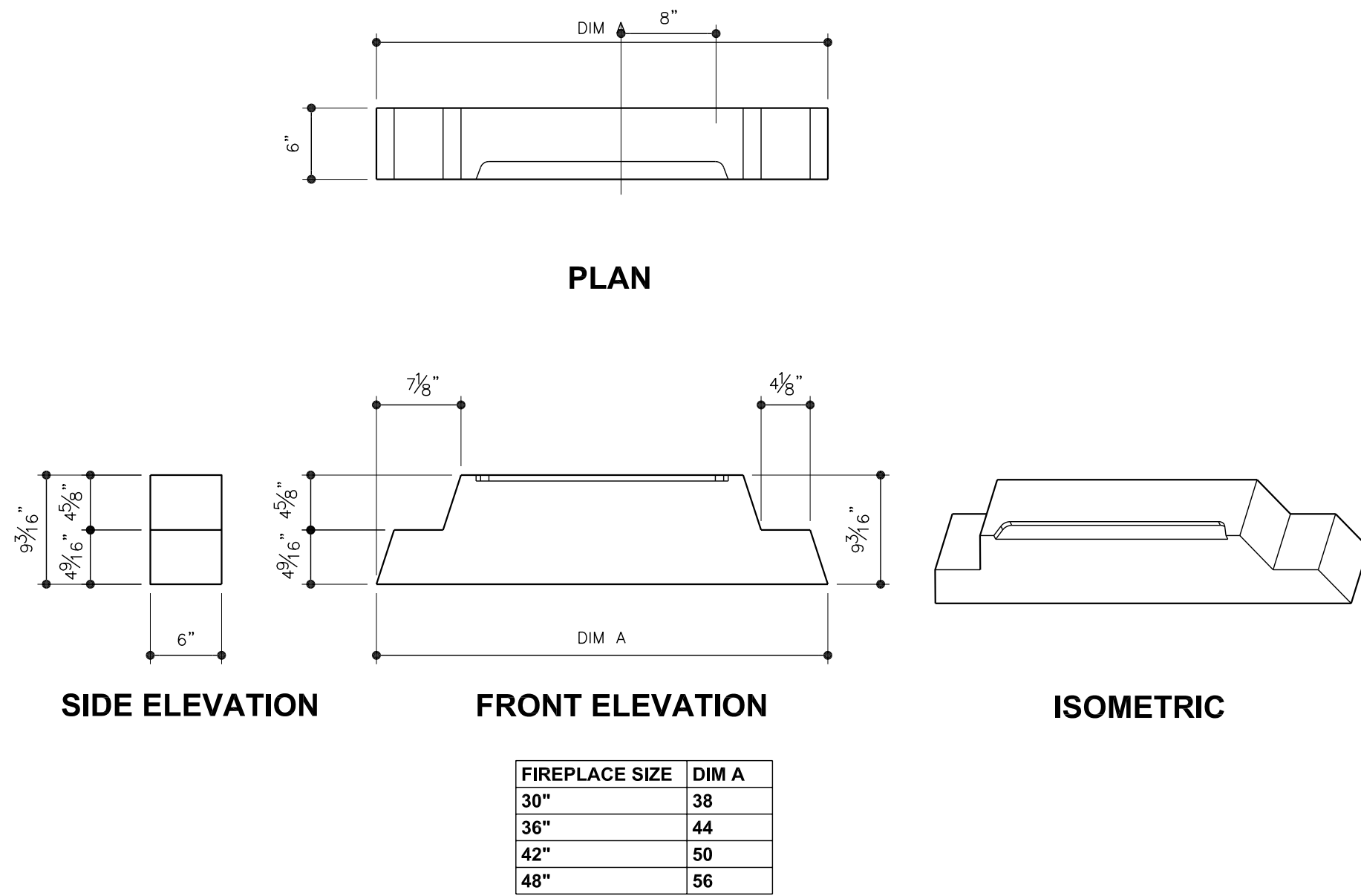


11 UNIVERSAL SMOKE CHAMBER SIDES SCALE: 1" = 1'-0"

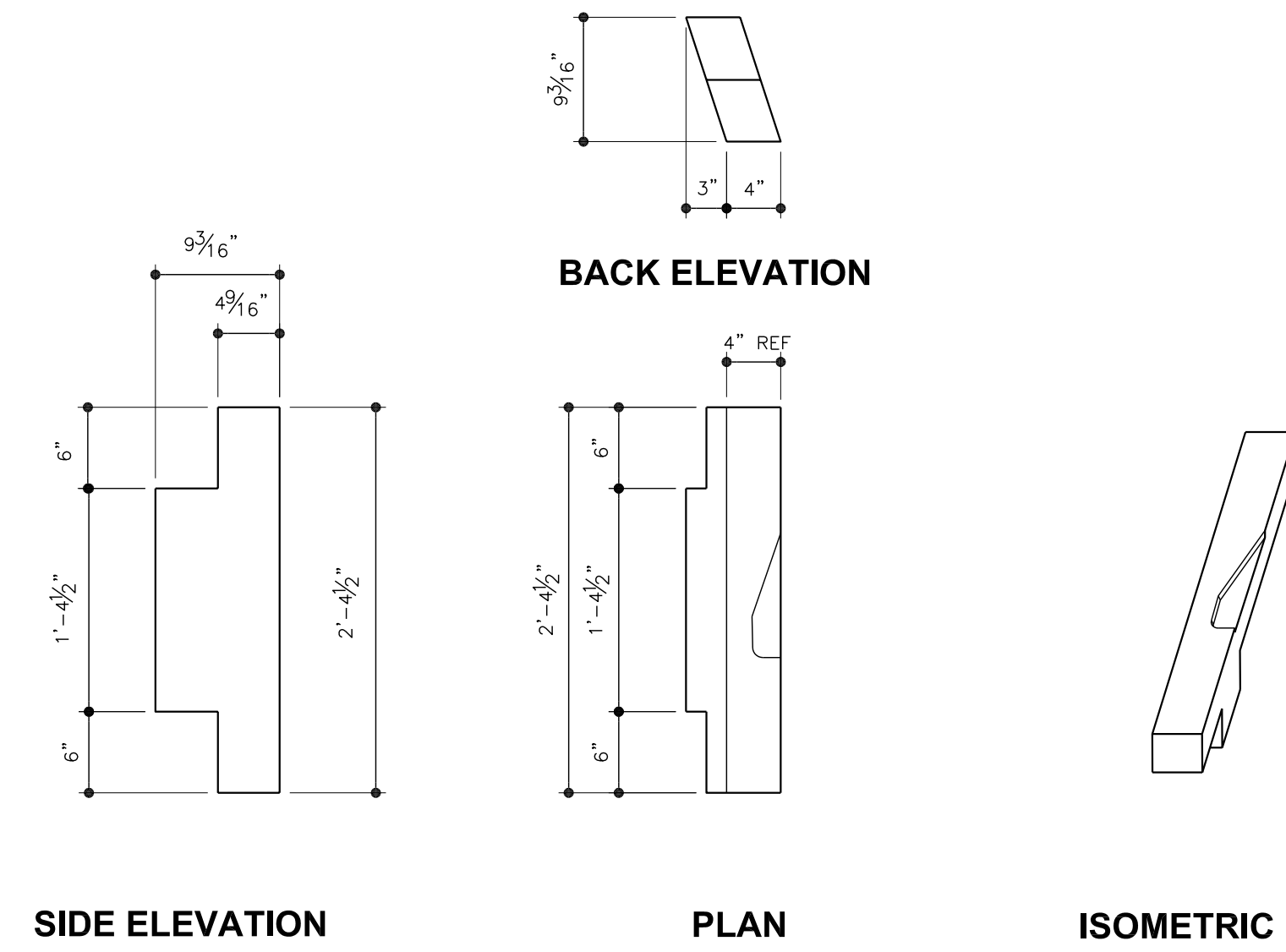
FireRock

The fireplace, *rekindled.*

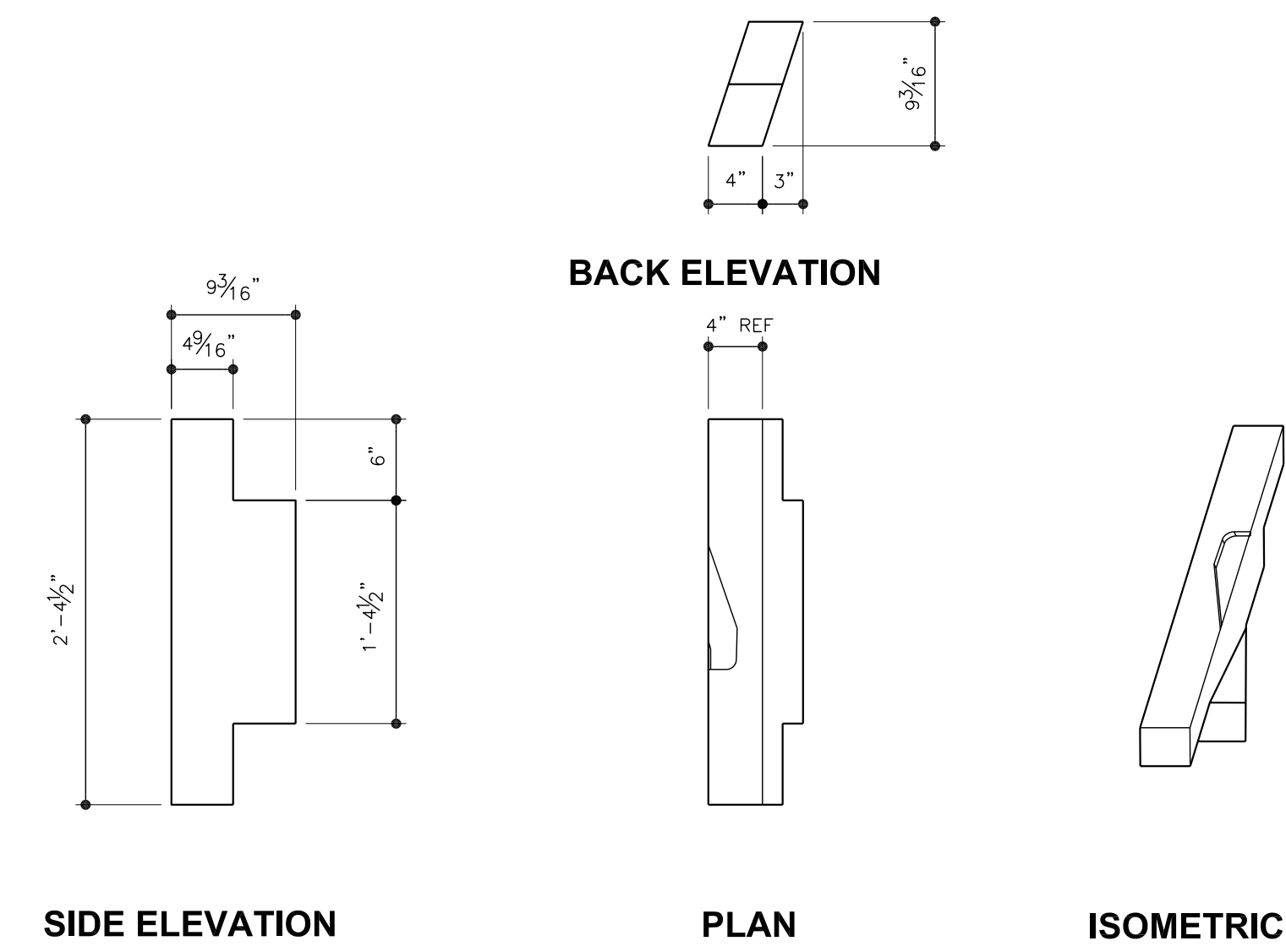
OUTDOOR FIREPLACE- INDIVIDUAL COMPONENTS



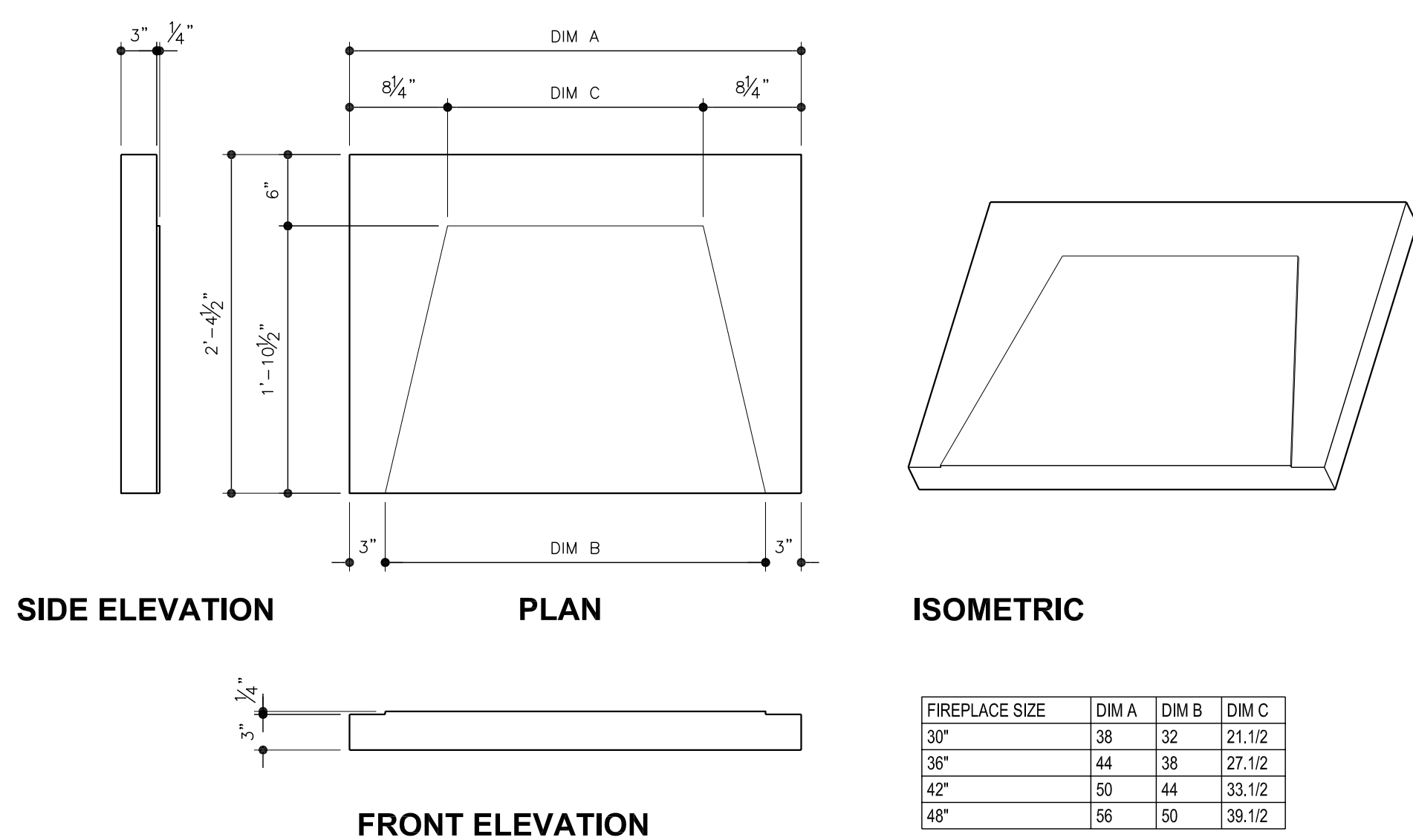
7 SQUARE THROAT SCALE: 1" = 1'-0"



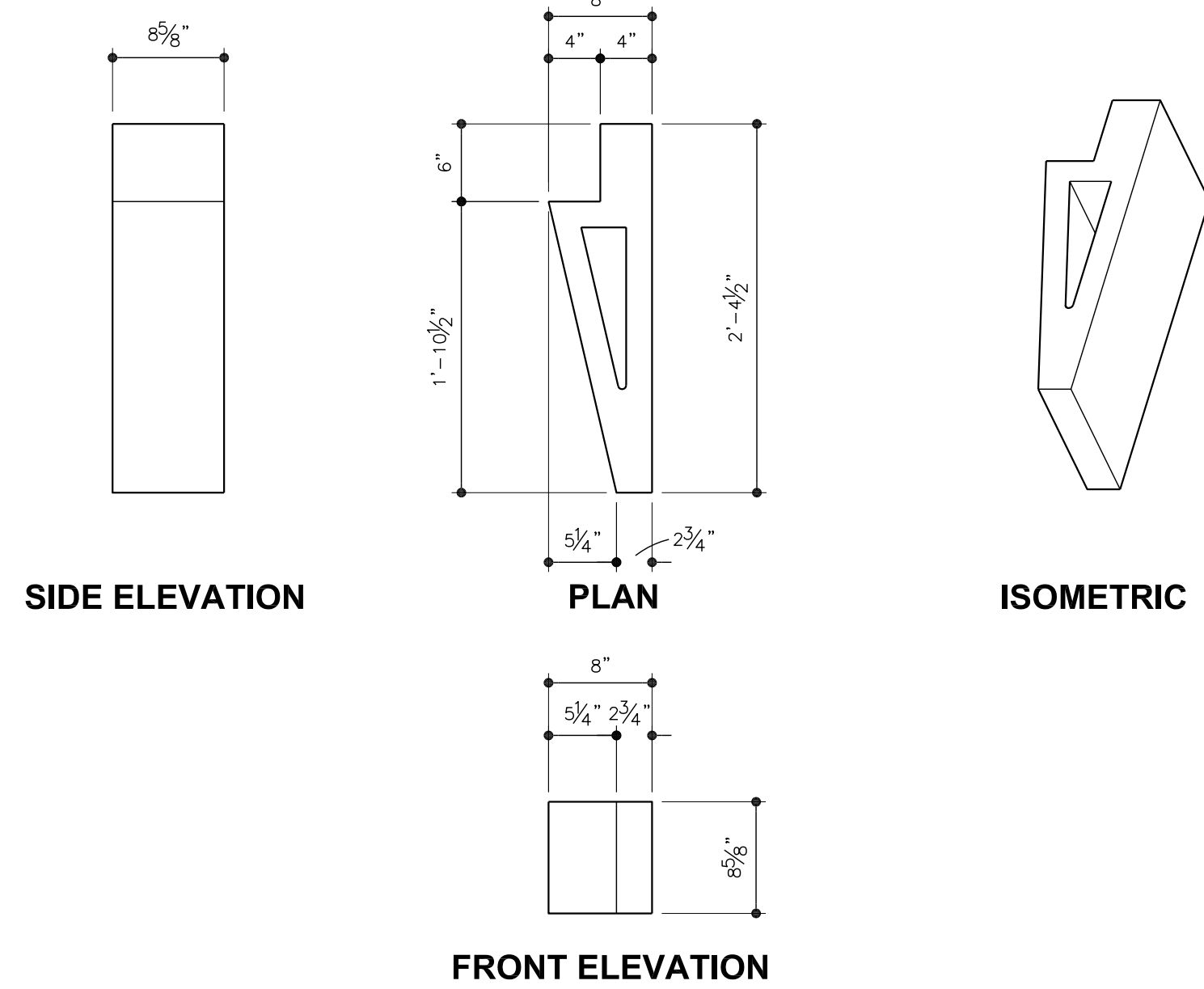
8 THROAT LEFT SIDE SCALE: 1" = 1'-0"



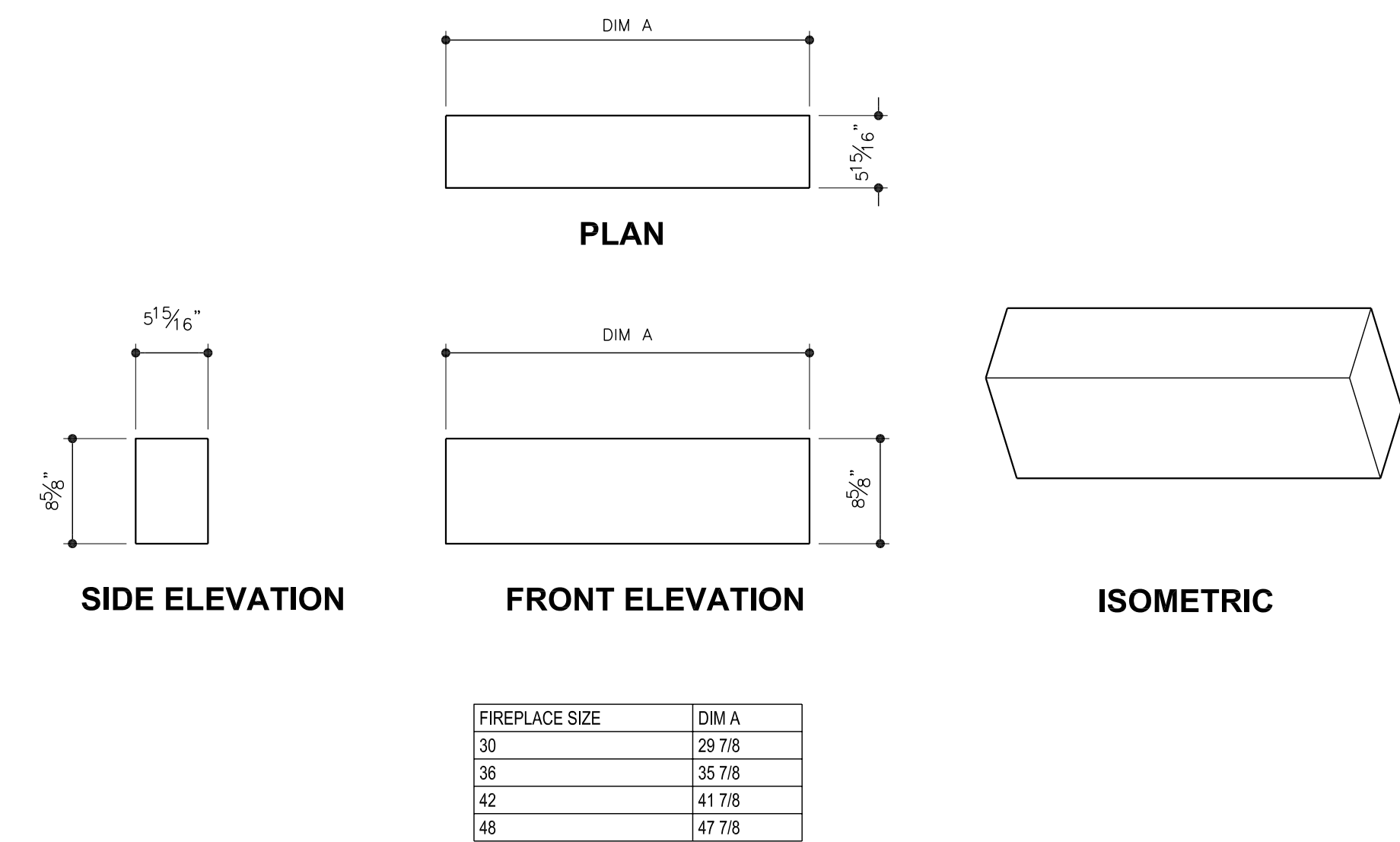
9 THROAT RIGHT SIDE SCALE: 1" = 1'-0"



1 BASE PLATE SCALE: 1" = 1'-0"



2 FIREBOX SIDE SCALE: 1" = 1'-0"



3 FIREBOX BACK- STRAIGHT BACK BLOCK SCALE: 1" = 1'-0"

