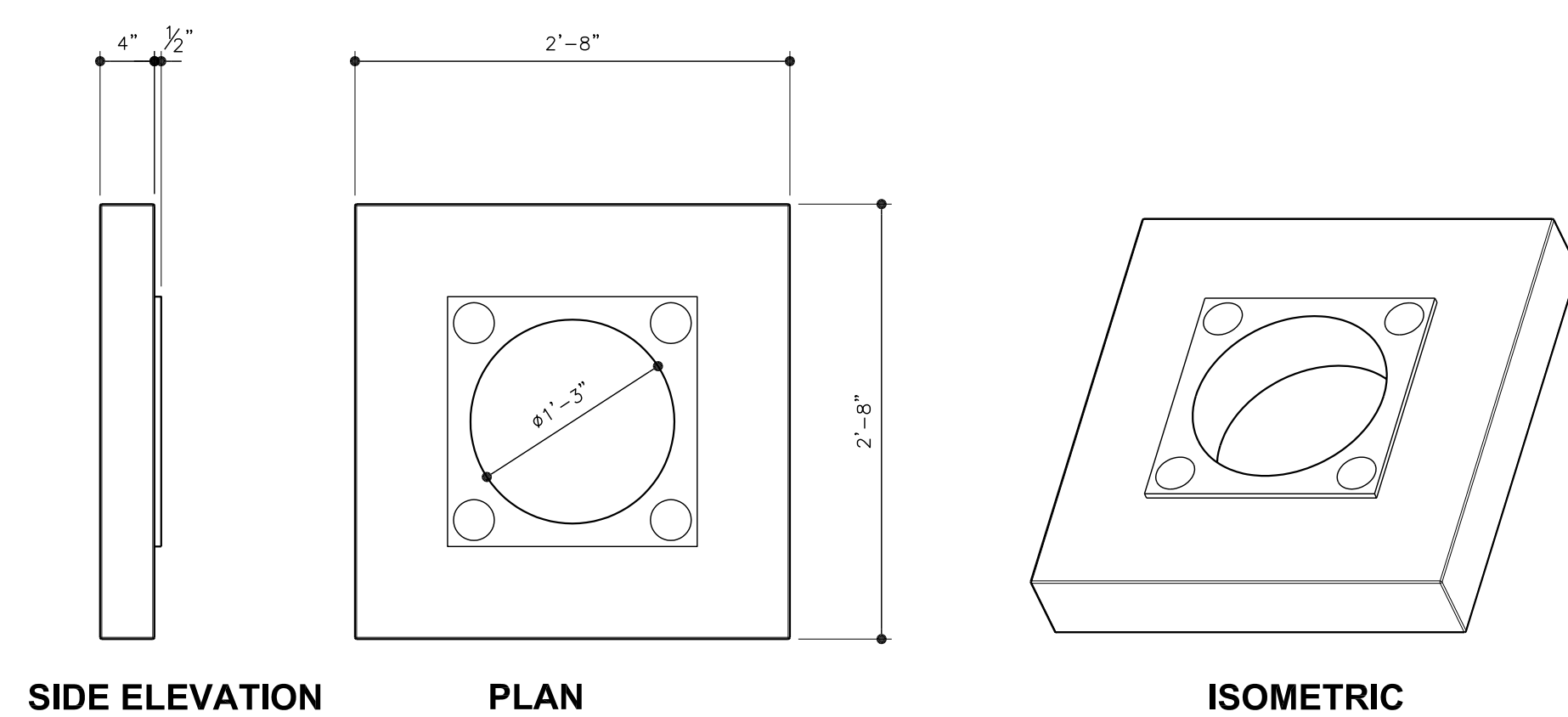


15

SEE-THROUGH THROAT SIDE

SCALE: 1" = 1'-0"



16

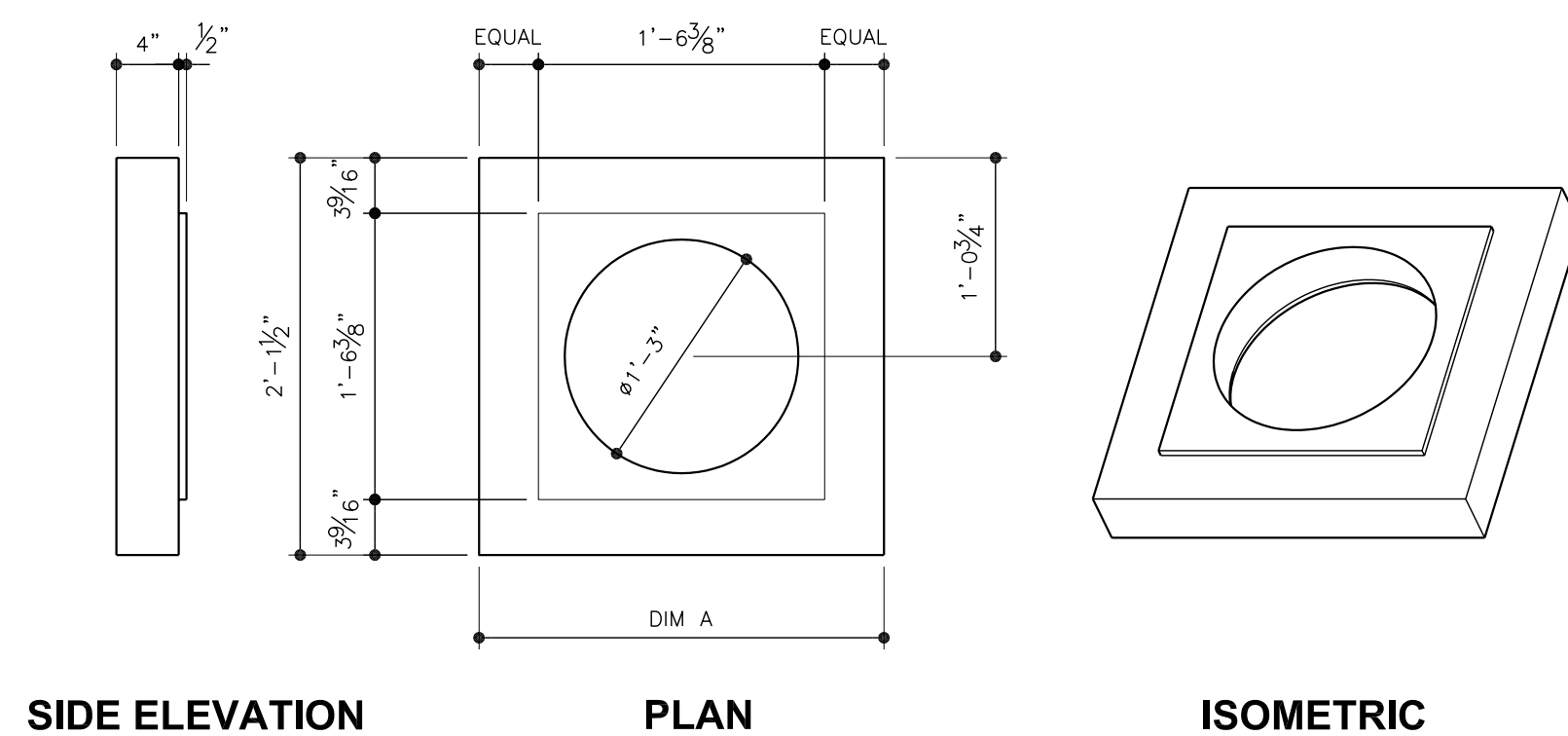
**BRICKING FLANGE
(ONLY IF REQUIRED BY INSTALLATION)**

SCALE: 1" = 1'-0"

FireRock

The fireplace, *rekindled.*

SEE-THROUGH FIREPLACE- INDIVIDUAL COMPONENTS

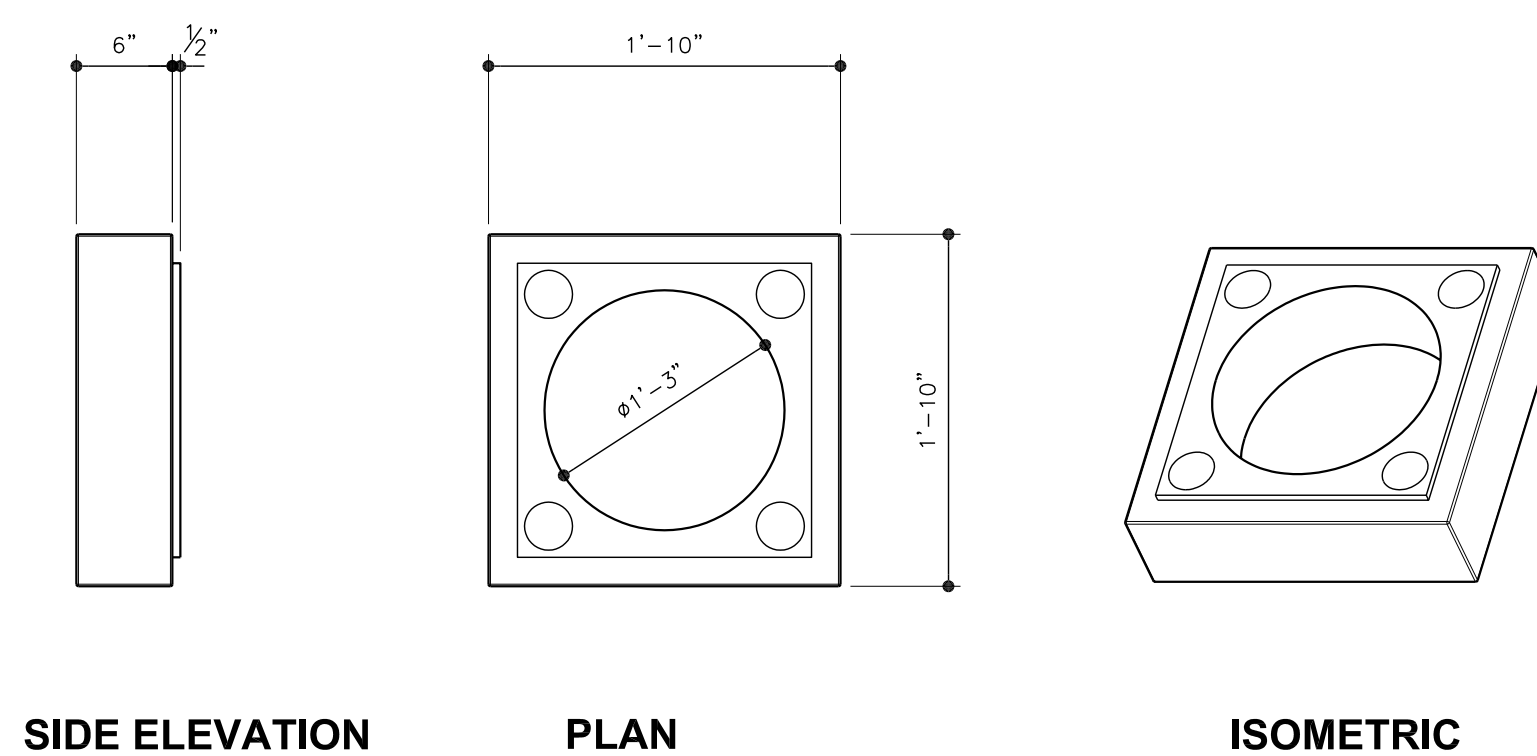


12

CHIMNEY BASE

SCALE: 1" = 1'-0"

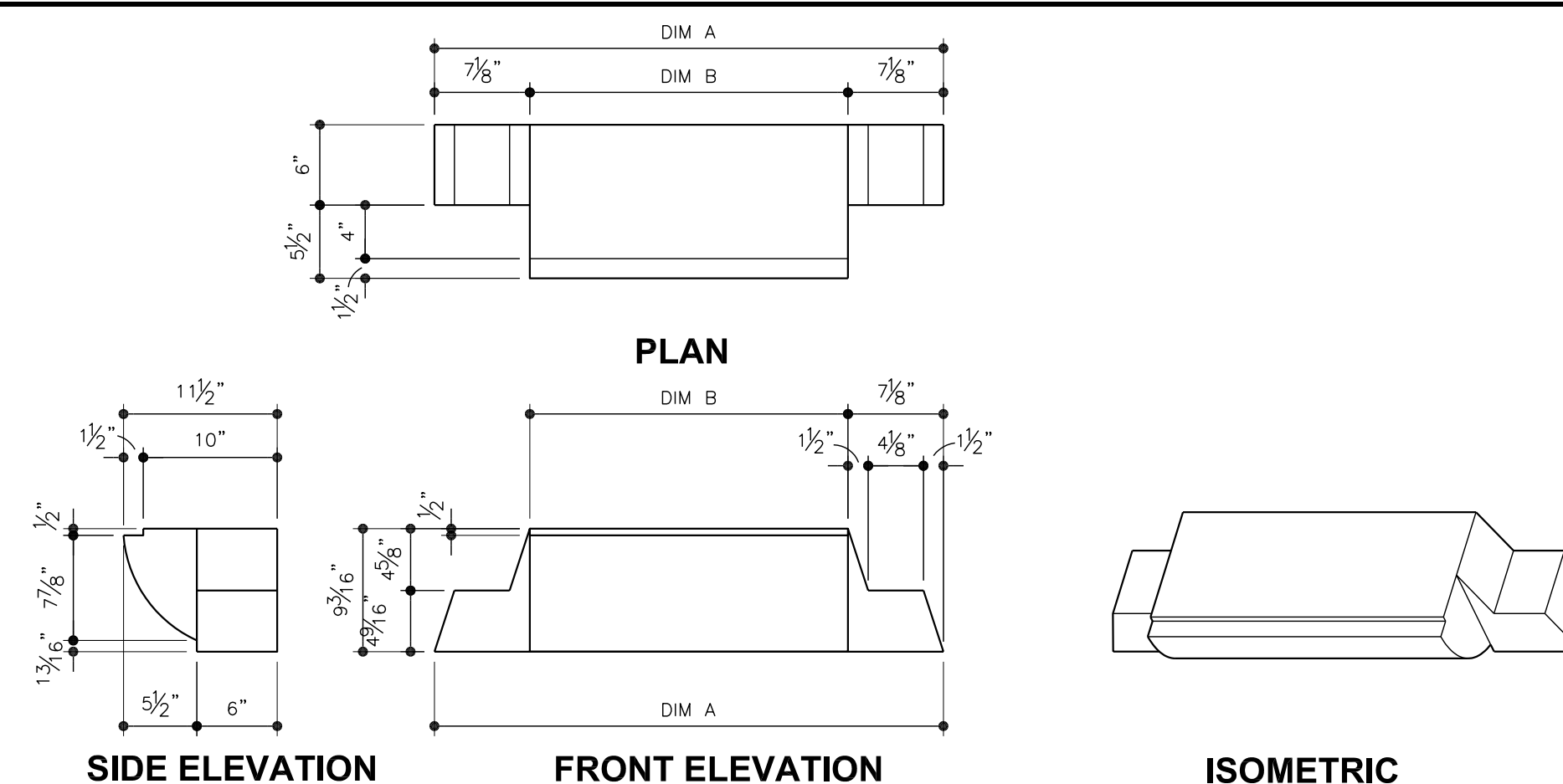
FIREPLACE SIZE	DIM A
30"	26
36"	26
42"	32
48"	32



13

CHIMNEY BLOCK

SCALE: 1" = 1'-0"

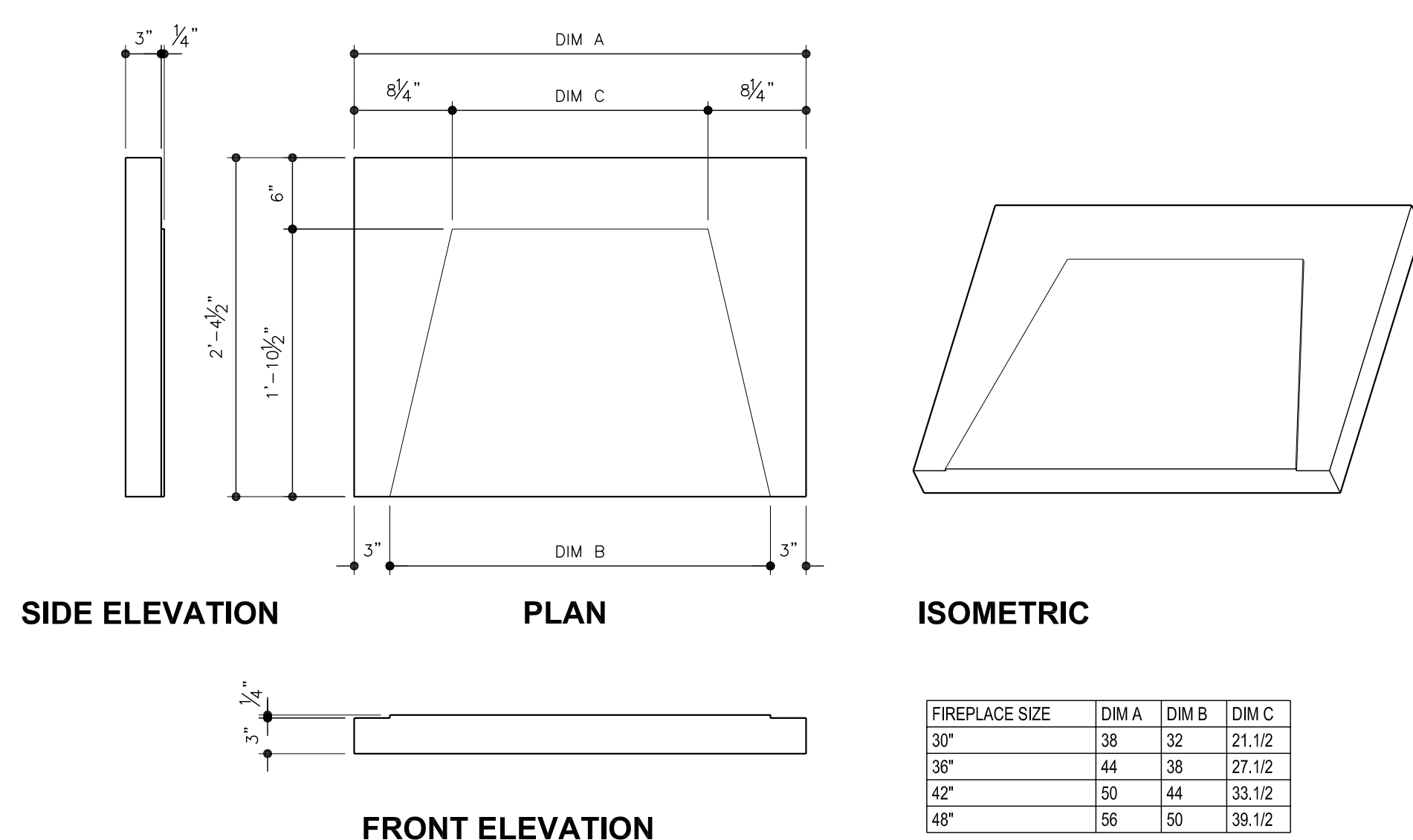


14

SEE-THROUGH - RADIUS THROAT FRONT AND BACK

SCALE: 1" = 1'-0"

FIREPLACE SIZE	DIM A	DIM B
30"	38	23.34
36"	44	29.34
42"	50	35.34
48"	56	41.34



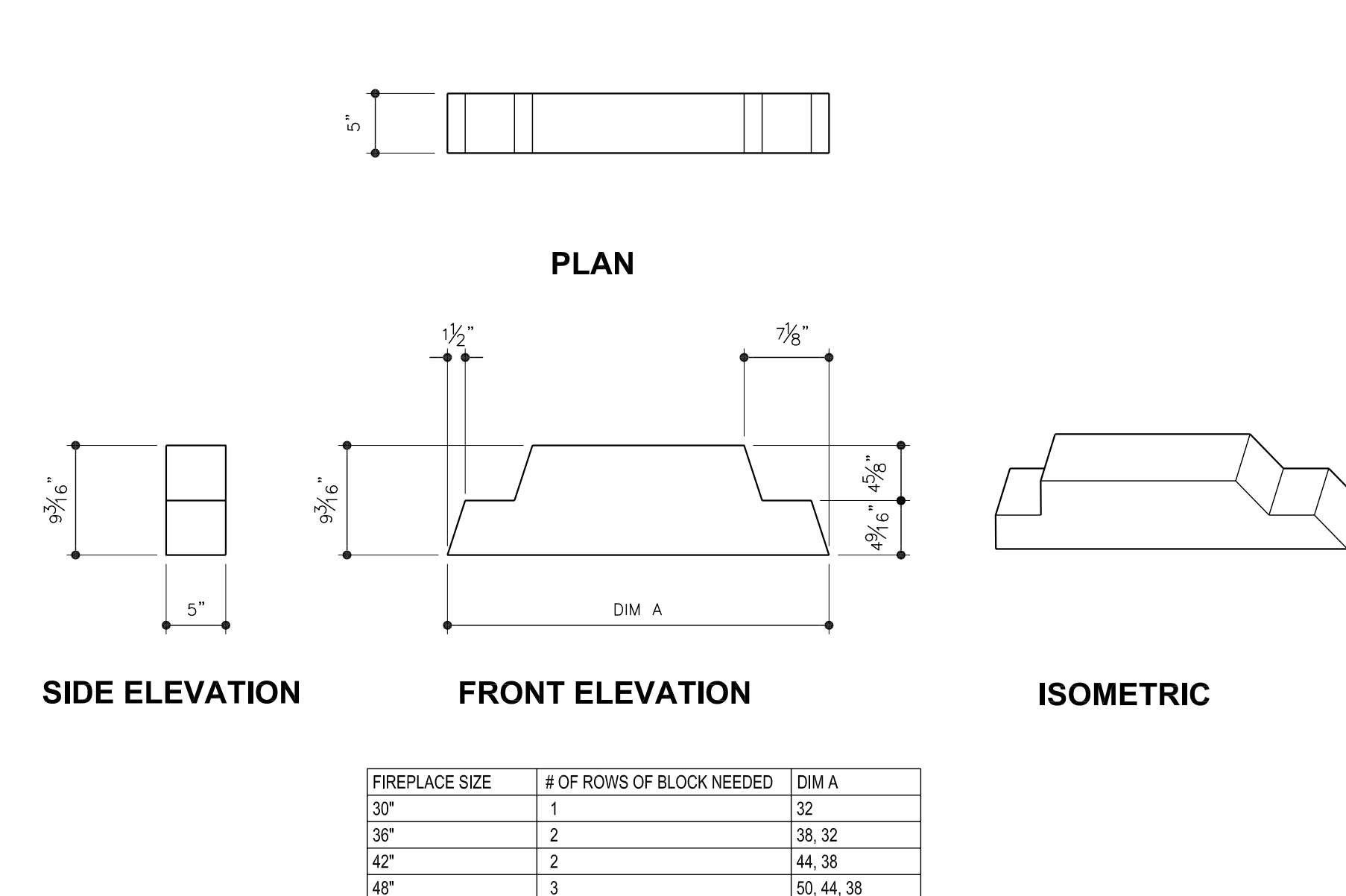
1

BASE PLATE

NOTE: FOR USE ON SEE-THROUGH FIREPLACES, TURN BASE PLATE OVER AND USE THE BOTTOM SIDE AS THE TOP.

SCALE: 1" = 1'-0"

FIREPLACE SIZE	DIM A	DIM B	DIM C
30"	38	32	21.1/2
36"	44	38	27.1/2
42"	50	44	33.1/2
48"	56	50	39.1/2

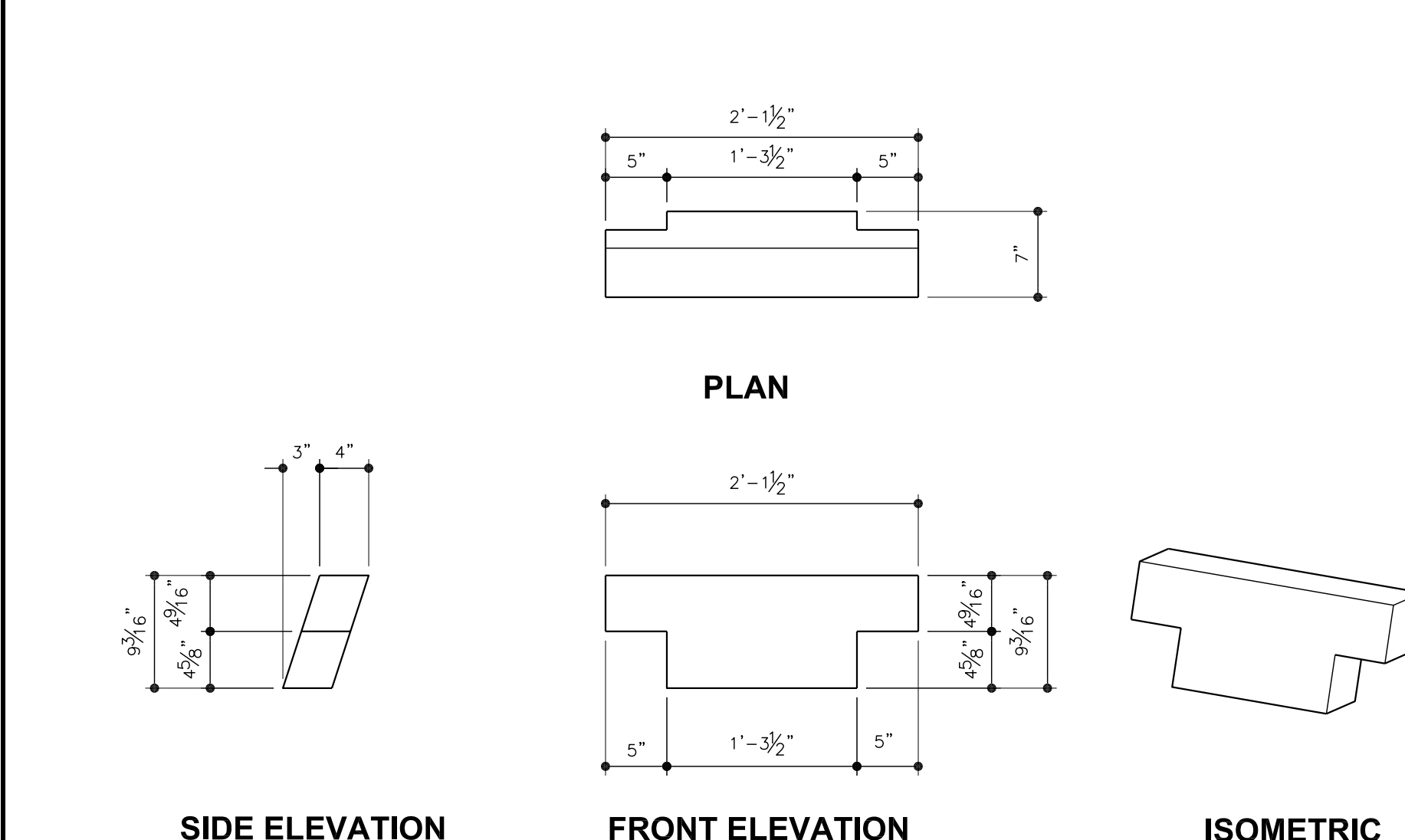


10

SMOKE CHAMBER FRONT AND BACK

SCALE: 1" = 1'-0"

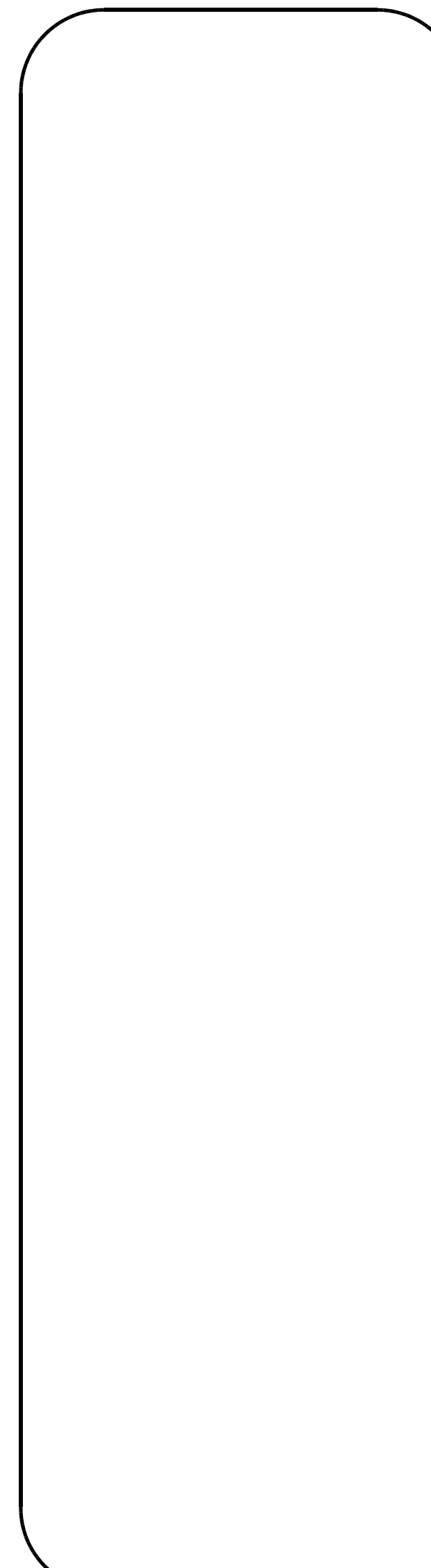
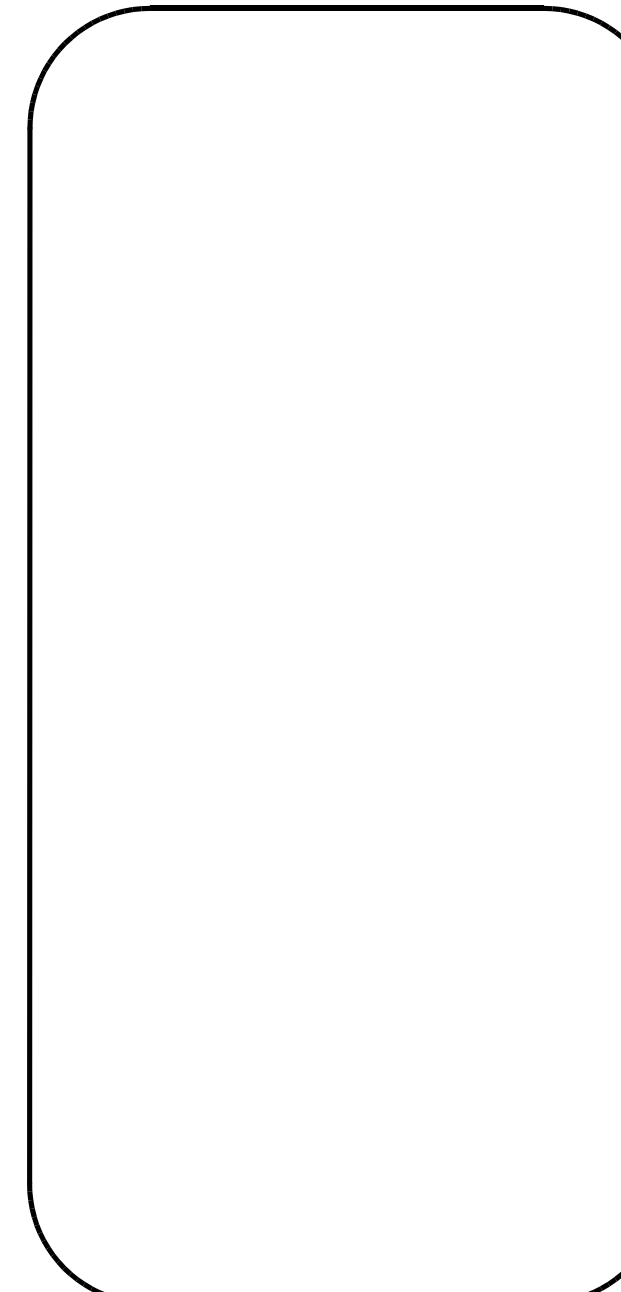
FIREPLACE SIZE	# OF ROWS OF BLOCK NEEDED	DIM A
30"	1	32
36"	2	38, 32
42"	2	44, 38
48"	3	50, 44, 38



11

UNIVERSAL SMOKE CHAMBER SIDES

SCALE: 1" = 1'-0"



RELEASE DATE **04/02/09**

SCALE **1" = 1'-0"**

SHEET

ST-1